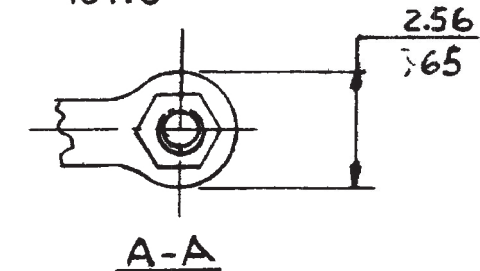
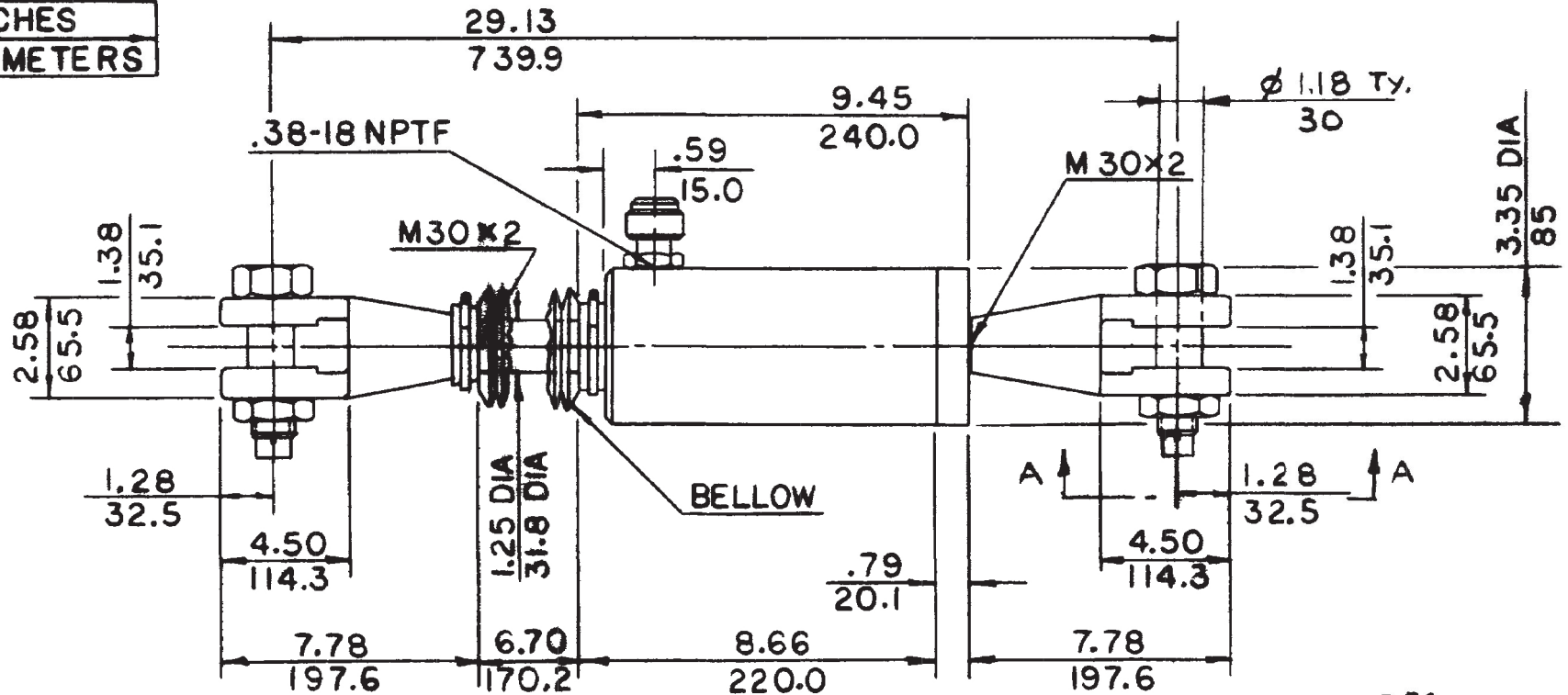


ENERPAC, BUTLER, WISCONSIN 53007 TELEPHONE (414) 781 6600 TELEX 026 682 DIVISION OF APPLIED POWER INDUSTRIES INC

INCHES
MILLIMETERS



CAPACITY — 10 TONS / 110kN

STROKE — 5.9 / 150

BORE DIA. — 2.125 DIA. / 54.0 DIA.

EFFECTIVE AREA — 2.31 SQ. IN. / 14.9 SQ. CMS.

OIL CAPACITY — 13.86 CU. IN. / 227.17 CU. CMS.

INTERNAL PRESSURE AT RATED LOAD — 8603 P. S. I. / 59,320.05 kN/m²

WEIGHT — 35 lbs / 16kg

MODEL NO. **BRP-106 C**

REV. B