

ENERPAC

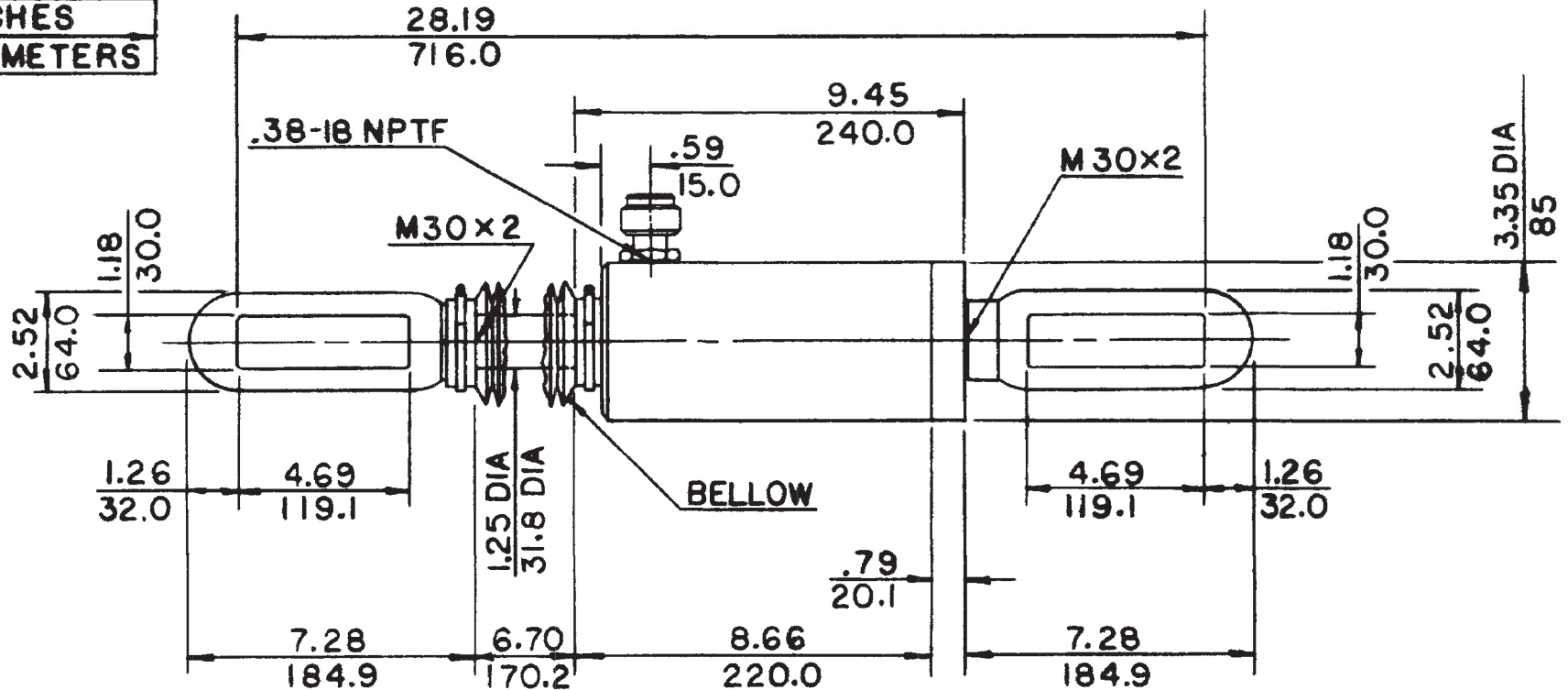
Specification Sheet

DATE 2023/01/28 改 Japan

PRODUCT DESCRIPTION **10 TON
PULLPAC**

ENERPAC, BUTLER, WISCONSIN 53007 TELEPHONE (414) 781 6600 TELEX 026 682 DIVISION OF APPLIED POWER INDUSTRIES, INC

INCHES
MILLIMETERS



MODEL NO
BRP-106-L

CAPACITY - 10 TONS / 110kN

STROKE - 5.9 / 150

BORE DIA. - 2.125 DIA / 54.0 DIA

EFFECTIVE AREA - 2.31 SQ. IN. / 14.9 SQ. CMS.

OIL CAPACITY - 13.86 CU. IN. / 227.17 CU. CMS.

INTERNAL PRESSURE AT RATED LOAD - 8603 P.S.I. / 59,320.05 kN/m²

WEIGHT - 24 lbs / 11 kg

REV. A