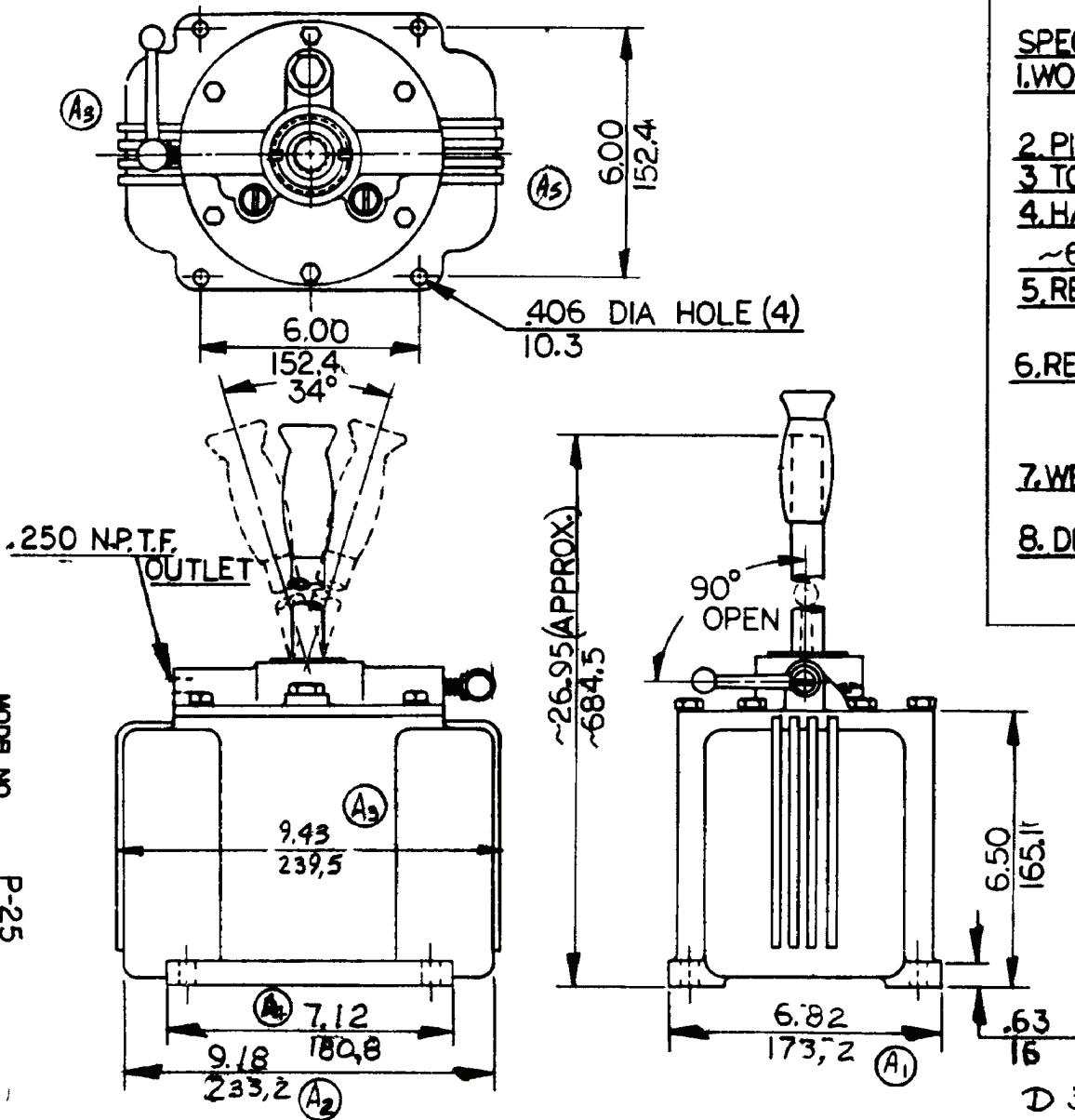


DATE 12-20-79

PRODUCT DESCRIPTION DOUBLE ACTING PUMP

(A6)

ENERPAC, BUTLER, WISCONSIN 53007 TELEPHONE (414) 781 6800 TELEX 026 682 DIVISION OF APPLIED POWER INDUSTRIES, INC



DOUBLE ACTING PUMP

SPECIFICATIONS

1. WORKING PRESSURE MAX. ~ 2500 PSI.
(~17,237 KN/m²)
2. PISTON AREA ~ .371 SQ. IN. (2.39 CM²)
3. TOTAL PISTON STROKE ~ 1.50 IN. (38.1 MM)
4. HANDLE EFFORT AT MAX. PRESSURE
~60.0 LBS. (27.22 Kg)
5. RELIEF VALVE SETTING ~ 2500-2800 PSI.
(17,237-19,305 KN/m²)
6. RESERVOIR CAPACITY
CLOSED ~ 14 CU. IN. (1,868 CU. CM)
VENTED ~ 231 CU. IN. (3,786 CU. CM)
7. WEIGHT WITH 114 CU. IN. OF OIL 27 LBS.
12.25 Kg
8. DISPLACEMENT PER STROKE .557 CU. IN.
9.13 CU. CM



A E17162 2-9-89

D 34945

ID NO. 1718