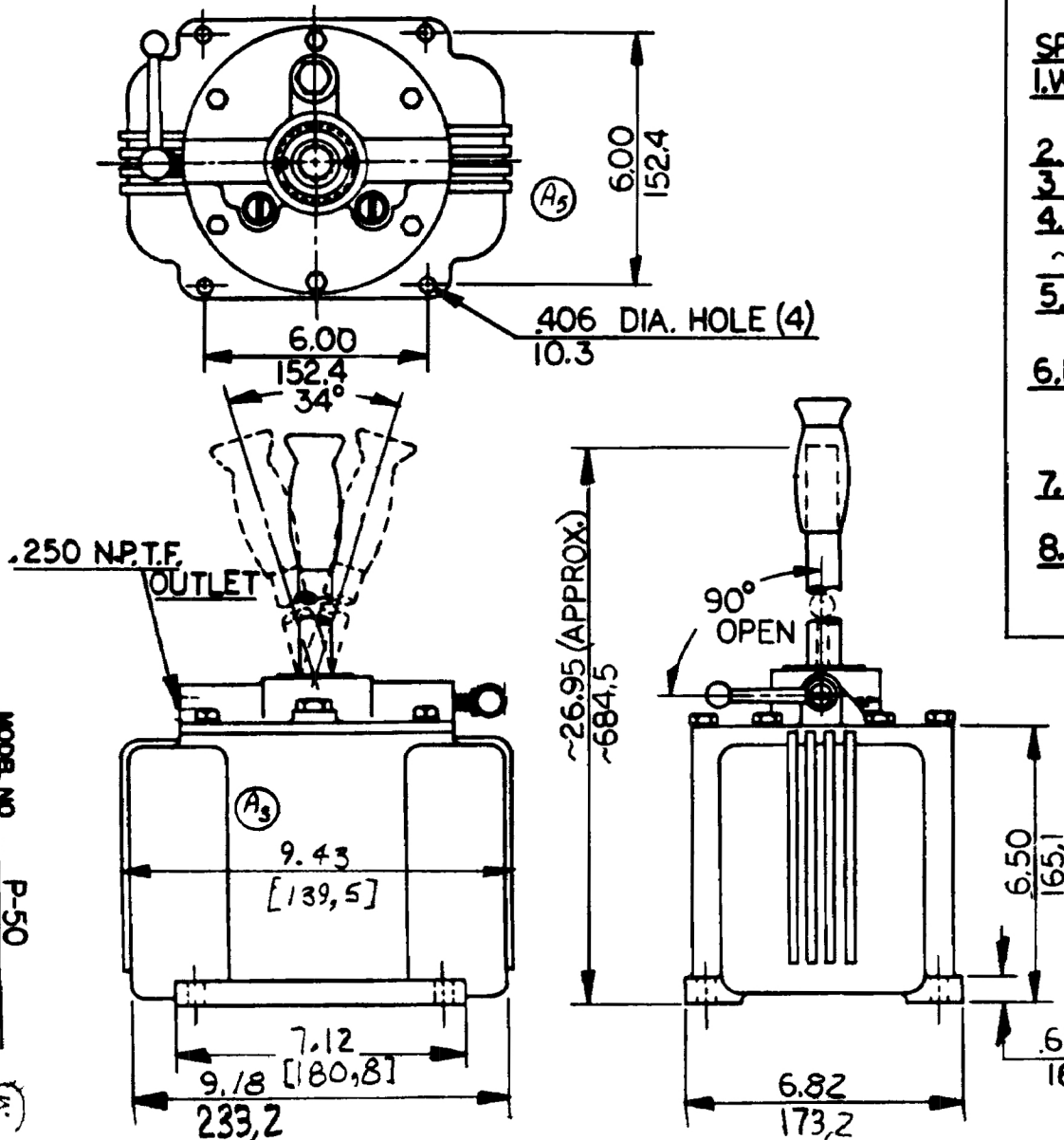


ENERPAC, BUTLER, WISCONSIN 53007 TELEPHONE (414) 781-0000 TELEX 626-082 DIVISION OF APPLIED POWER INDUSTRIES, INC.



### DOUBLE ACTING PUMP

#### SPECIFICATIONS

1. WORKING PRESSURE MAX. ~ 5000 PSI  
(34,474 KN/m<sup>2</sup>)
2. PISTON AREA ~ .196 SQ. IN. (1.26 CM<sup>2</sup>)
3. TOTAL PISTON STROKE ~ 1.50 IN. (38.1 MM)
4. HANDLE EFFORT AT MAX. PRESSURE:  
~62.5 LBS. (28.35 Kg)
5. RELIEF VALVE SETTING ~ 5000 - 5300 PS  
(34,474 - 36,542 KN/m<sup>2</sup>)
6. RESERVOIR CAPACITY  
CLOSED ~ 14 CU. IN. (1868 CU. CM)  
VENTED ~ 231 CU. IN. (3786 CU. CM)
7. WEIGHT WITH ~ 90 CU. IN. OF OIL. 30 LBS  
13.6 Kg.
8. DISPLACEMENT PER STROKE ~ 294 CU. IN.  
(4.82 CU. CM)

INCHES  
MILLIMETERS

A E17162 2-9-89

D 34946 ID NO. 1719