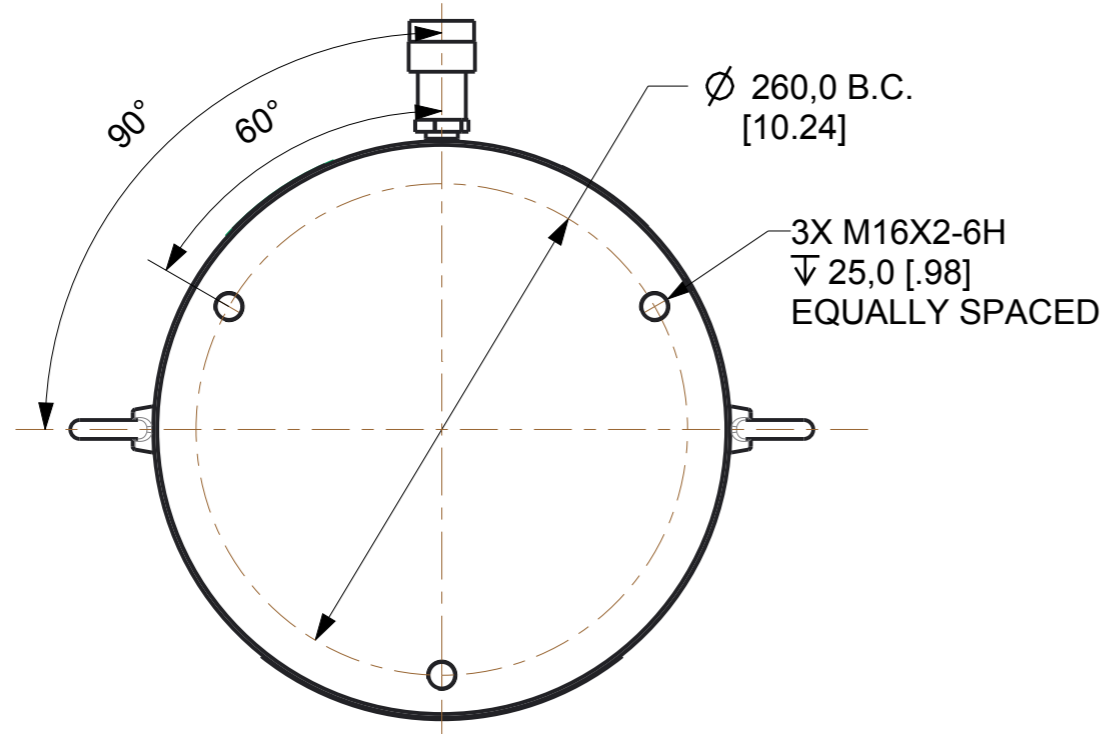


**SPECIFICATIONS**

	MAX LOAD	DIM "A" COLLAPSED	DIM "A" EXTENDED	STROKE	OIL CAPACITY	WEIGHT
HCL3002	3036 KN/ 341 TON	278 [10.94]	328 [12.91]	50 [1.97]	2,169 CM <sup>3</sup> [132.34 IN <sup>3</sup> ]	158 KG [348 LBS]
HCL3004		328 [12.91]	428 [16.85]	100 [3.94]	4,337 CM <sup>3</sup> [264.68 IN <sup>3</sup> ]	186 KG [411 LBS]
HCL3006		378 [14.88]	528 [20.79]	150 [5.91]	6,506 CM <sup>3</sup> [397.02 IN <sup>3</sup> ]	215 KG [474 LBS]
HCL3008		428 [16.85]	628 [24.72]	200 [7.87]	8,675 CM <sup>3</sup> [529.36 IN <sup>3</sup> ]	244 KG [537 LBS]
HCL30010		478 [18.82]	728 [28.66]	250 [9.84]	10,843 CM <sup>3</sup> [661.71 IN <sup>3</sup> ]	272 KG [601 LBS]
HCL30012		528 [20.79]	828 [32.60]	300 [11.81]	13,012 CM <sup>3</sup> [794.05 IN <sup>3</sup> ]	301 KG [664 LBS]
MAX PRESSURE - 700 BAR/10,150 PSI						



Language Code - Primary/Secondary eng/	Document Type: ID DRAWING	Description: ID SPEC HCL300		
<b>THIRD ANGLE PROJECTION</b>	Technical Reference: Juan Carlos Gomez	Rev A	Date of Issue 2016DEC12	Sheet 1/1
DO NOT SCALE DRAWING	Approver: Steve Held	HCL300ID		
Per ASME Y14.5 - 2009	Creator: John Van Roy	<b>ENERPAC</b>		