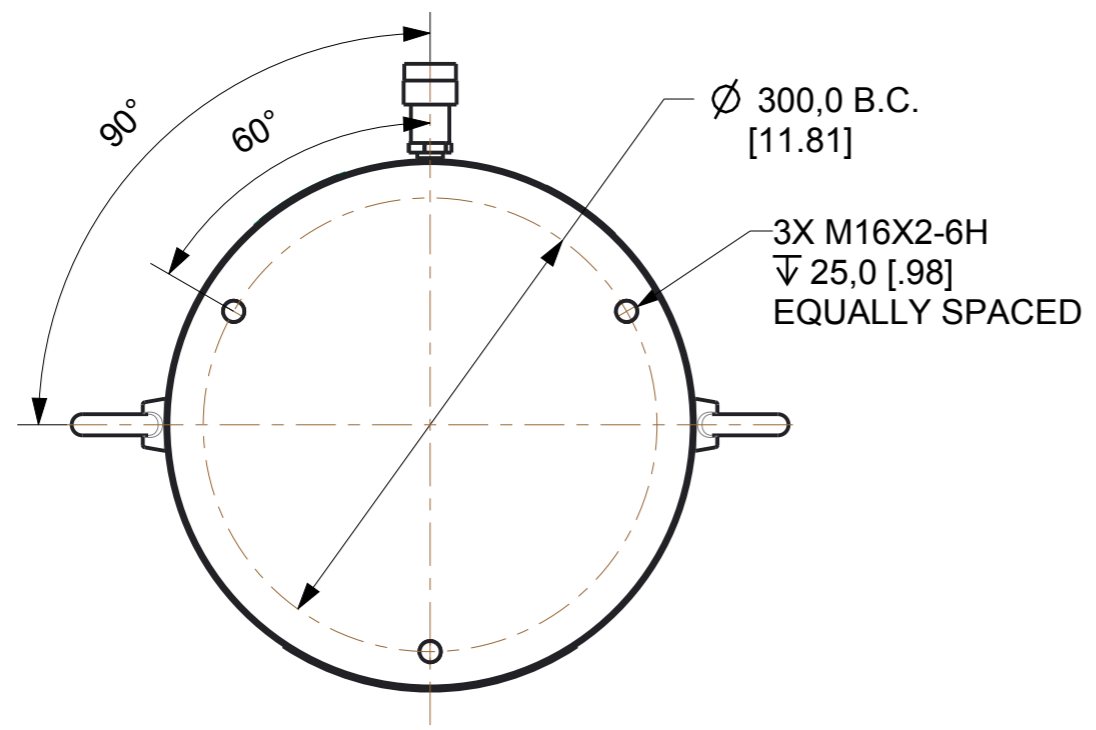


SPECIFICATIONS

	MAX LOAD	DIM "A" COLLAPSED	DIM "A" EXTENDED	STROKE	OIL CAPACITY	WEIGHT
HCL4002	4008 KN/ 450 TON	317 [12.48]	367 [14.45]	50 [1.97]	2,863 CM <sup>3</sup> [174.70 IN <sup>3</sup> ]	236 KG [520 LBS]
HCL4004		367 [14.45]	467 [18.39]	100 [3.94]	5,726 CM <sup>3</sup> [349.39 IN <sup>3</sup> ]	274 KG [603 LBS]
HCL4006		417 [16.42]	567 [22.32]	150 [5.91]	8,588 CM <sup>3</sup> [524.09 IN <sup>3</sup> ]	311 KG [686 LBS]
HCL4008		467 [18.39]	667 [26.26]	200 [7.87]	11,451 CM <sup>3</sup> [698.79 IN <sup>3</sup> ]	349 KG [770 LBS]
HCL40010		517 [20.35]	767 [30.20]	250 [9.84]	14,314 CM <sup>3</sup> [873.49 IN <sup>3</sup> ]	387 KG [853 LBS]
HCL40012		567 [22.32]	867 [34.13]	300 [11.81]	17,177 CM <sup>3</sup> [1048.18 IN <sup>3</sup> ]	425 KG [936 LBS]
MAX PRESSURE - 700 BAR/10,150 PSI						



Language Code - Primary/Secondary eng/	Document Type: ID DRAWING	Description: ID SPEC HCL400		
THIRD ANGLE PROJECTION	Technical Reference: Juan Carlos Gomez	Rev A	Date of Issue 2016DEC12	Sheet 1/1
DO NOT SCALE DRAWING	Approver: Steve Held	HCL400ID		
Per ASME Y14.5 - 2009	Creator: John Van Roy	<b>ENERPAC</b>		