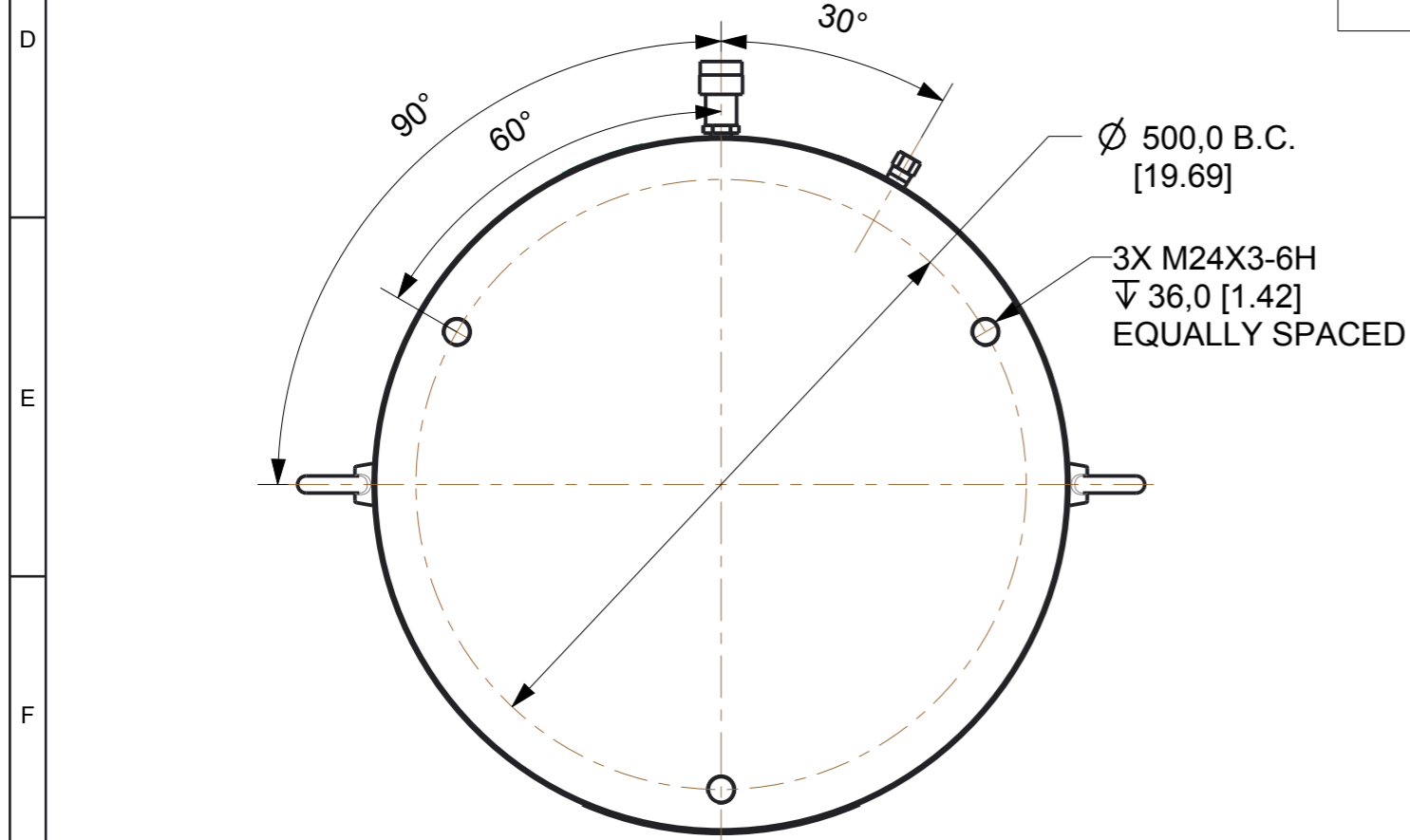


SPECIFICATIONS						
	MAX LOAD	DIM "A" COLLAPSED	DIM "A" EXTENDED	STROKE	OIL CAPACITY	WEIGHT
HCR10002	10,644 KN/ 1196 TON	442 [17.40]	492 [19.37]	50 [1.97]	7,603 CM ³ [463.94 IN ³]	843 KG [1,858 LBS]
HCR10004		492 [19.37]	592 [23.31]	100 [3.94]	15,205 CM ³ [927.88 IN ³]	921 KG [2,031 LBS]
HCR10006		542 [21.34]	692 [27.24]	150 [5.91]	22,808 CM ³ [1391.83 IN ³]	1000 KG [2,205 LBS]
HCR10008		592 [23.31]	792 [31.18]	200 [7.87]	30,411 CM ³ [1855.77 IN ³]	1079 KG [2,379 LBS]
HCR100010		642 [25.28]	892 [35.12]	250 [9.84]	38,013 CM ³ [2319.71 IN ³]	1158 KG [2,552 LBS]
HCR100012		692 [27.24]	992 [39.06]	300 [11.81]	45,616 CM ³ [2783.65 IN ³]	1236 KG [2,726 LBS]
MAX PRESSURE - 700 BAR/10,150 PSI						



Language Code - Primary/Secondary eng/	Document Type: ID DRAWING	Description: ID SPEC HCR1000			
THIRD ANGLE PROJECTION	Technical Reference: Juan Carlos Gomez	Rev A	Date of Issue 2016DEC13	HCR1000ID	Sheet 1/1
DO NOT SCALE DRAWING	Approver: Steve Held				
Per ASME Y14.5 - 2009	Creator: John Van Roy	ENERPAC			