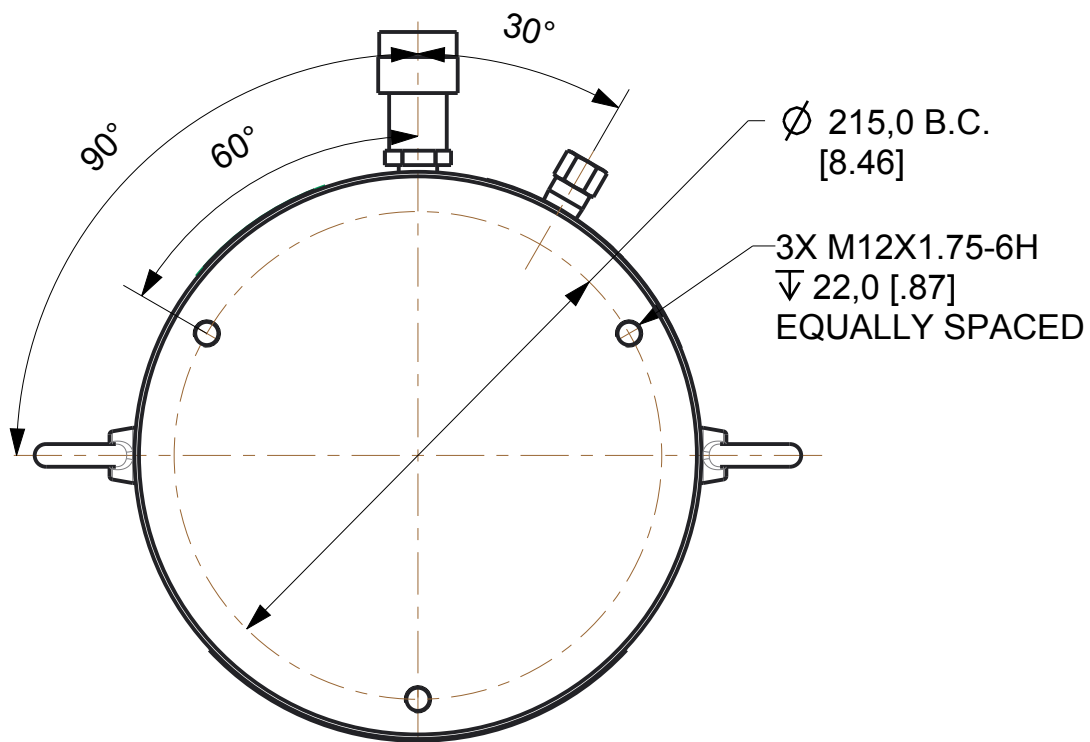


SPECIFICATIONS							
	MAX LOAD	DIM "A" COLLAPSED	DIM "A" EXTENDED	DIM "B"	STROKE	OIL CAPACITY	WEIGHT
HCR2002	1985 KN/ 223 TON	231 [9.09]	281 [11.06]	79 [3.11]	50 [1.97]	1,418 CM ³ [86.51 IN ³]	79 KG [175 LBS]
HCR2004		281 [11.06]	381 [15.00]		100 [3.94]	2,835 CM ³ [173.02 IN ³]	93 KG [206 LBS]
HCR2006		331 [13.03]	481 [18.94]		150 [5.91]	4,253 CM ³ [259.53 IN ³]	107 KG [237 LBS]
HCR2008		408 [16.06]	608 [23.94]	97 [3.82]	200 [7.87]	5,671 CM ³ [346.04 IN ³]	134 KG [296 LBS]
HCR20010		458 [18.03]	708 [27.87]		250 [9.84]	7,088 CM ³ [432.55 IN ³]	148 KG [327 LBS]
HCR20012		508 [20.00]	808 [31.81]		300 [11.81]	8,506 CM ³ [519.06 IN ³]	162 KG [358 LBS]
MAX PRESSURE - 700 BAR/10,150 PSI							



Language Code - Primary/Secondary eng/	Document Type: ID DRAWING	Description: ID SPEC HCR200		
THIRD ANGLE PROJECTION	Technical Reference: Juan Carlos Gomez	Rev A	Date of Issue 2016DEC13	Sheet 1/1
DO NOT SCALE DRAWING	Approver: Steve Held	HCR200ID		
Per ASME Y14.5 - 2009	Creator: John Van Roy	ENERPAC		