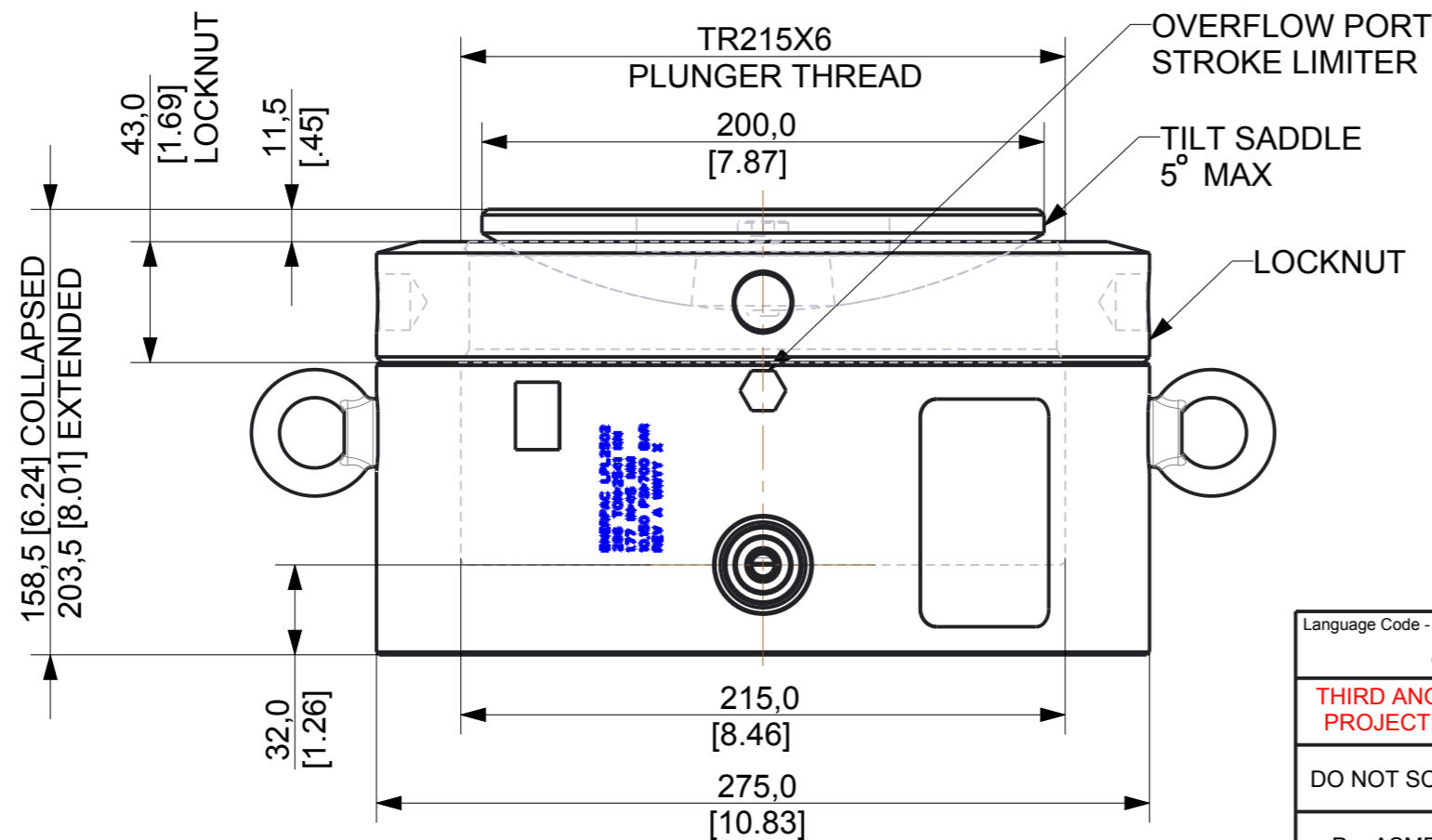


SPECIFICATIONS:
 MAX PRESSURE: 10,150 PSI/700BAR
 MAX LOAD: 286 TON/2541 KN
 STROKE: 1.77 IN/45 MM
 OIL CAPACITY: 99.7 IN³/1633.7 CM³
 WEIGHT: 155 LBS/70 KG



Language Code - Primary/Secondary eng/	Document Type: ID DRAWING	Description: ID SPEC LPL2502		
THIRD ANGLE PROJECTION	Technical Reference: Juan Carlos Gomez	Rev A	Date of Issue 2016DEC08	Sheet 1/1
DO NOT SCALE DRAWING	Approver: Steve Held	LPL2502ID		
Per ASME Y14.5 - 2009	Creator: John Van Roy			