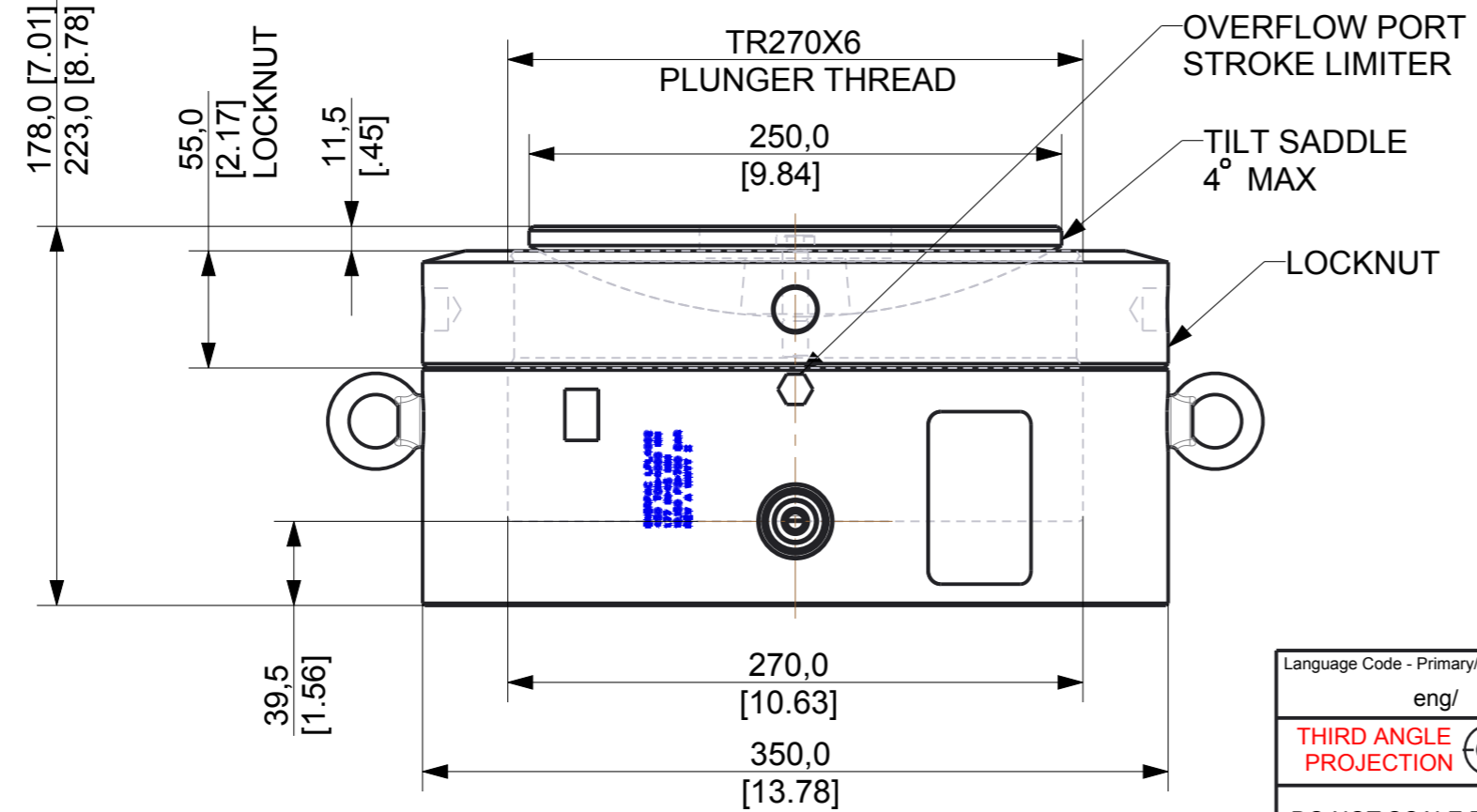


178,0 [7.01] COLLAPSED
223,0 [8.78] EXTENDED



SPECIFICATIONS:
 MAX PRESSURE: 10,150 PSI/700BAR
 MAX LOAD: 450 TON/4008 KN
 STROKE: 1.77 IN/45 MM
 OIL CAPACITY: 157.2 IN³/2576.5 CM³
 WEIGHT: 284 LBS/129 KG

Language Code - Primary/Secondary eng/	Document Type: ID DRAWING	Description: ID SPEC LPL4002		
THIRD ANGLE PROJECTION	Technical Reference: Juan Carlos Gomez	Rev A	Date of Issue 2016DEC08	Sheet 1/1
DO NOT SCALE DRAWING	Approver: Steve Held	LPL4002ID		
Per ASME Y14.5 - 2009	Creator: John Van Roy			