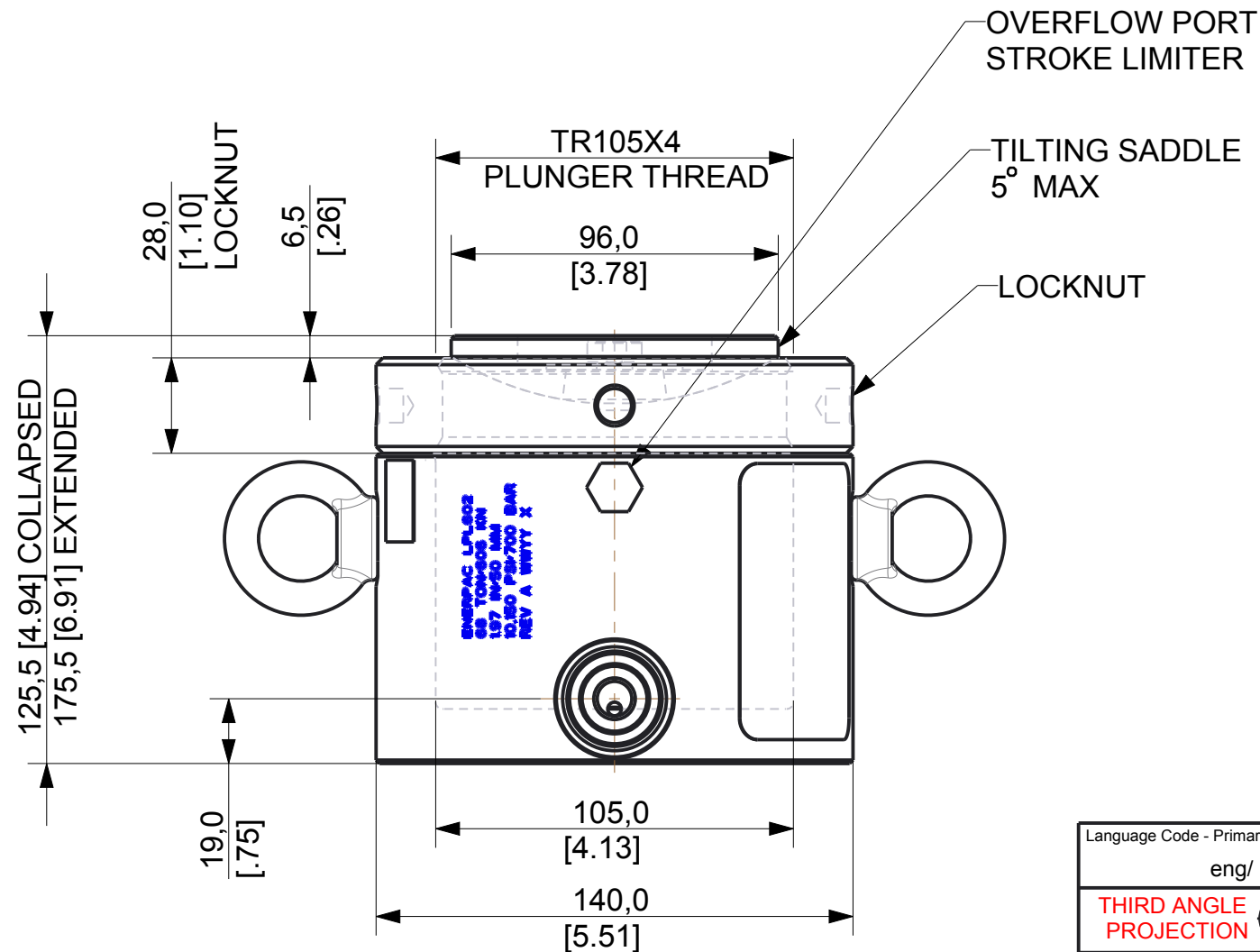


SPECIFICATIONS:

MAX PRESSURE: 10,150 PSI/700BAR
 MAX LOAD: 68 TON/606 KN
 STROKE: 1.97 IN/50 MM
 OIL CAPACITY: 26.4 IN³/433 CM³
 WEIGHT: 33 LBS/15 KG



Language Code - Primary/Secondary eng/	Document Type: ID DRAWING	Description: ID SPEC LPL602		
THIRD ANGLE PROJECTION	Technical Reference: Juan Carlos Gomez	Rev A	Date of Issue 2016DEC08	Sheet 1/1
DO NOT SCALE DRAWING	Approver: Steve Held	LPL602ID		
Per ASME Y14.5 - 2009	Creator: John Van Roy			