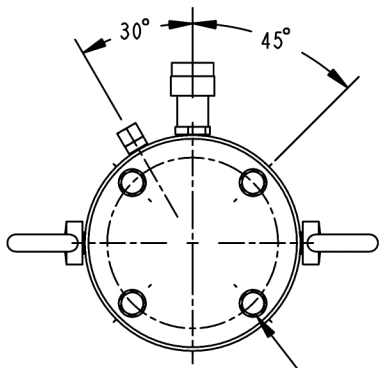
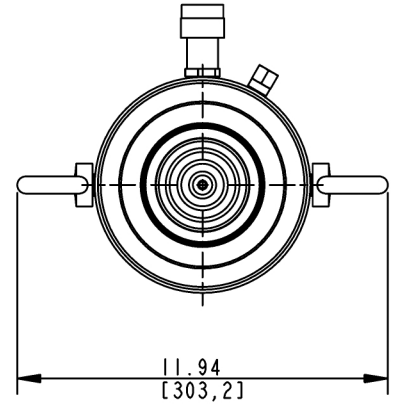
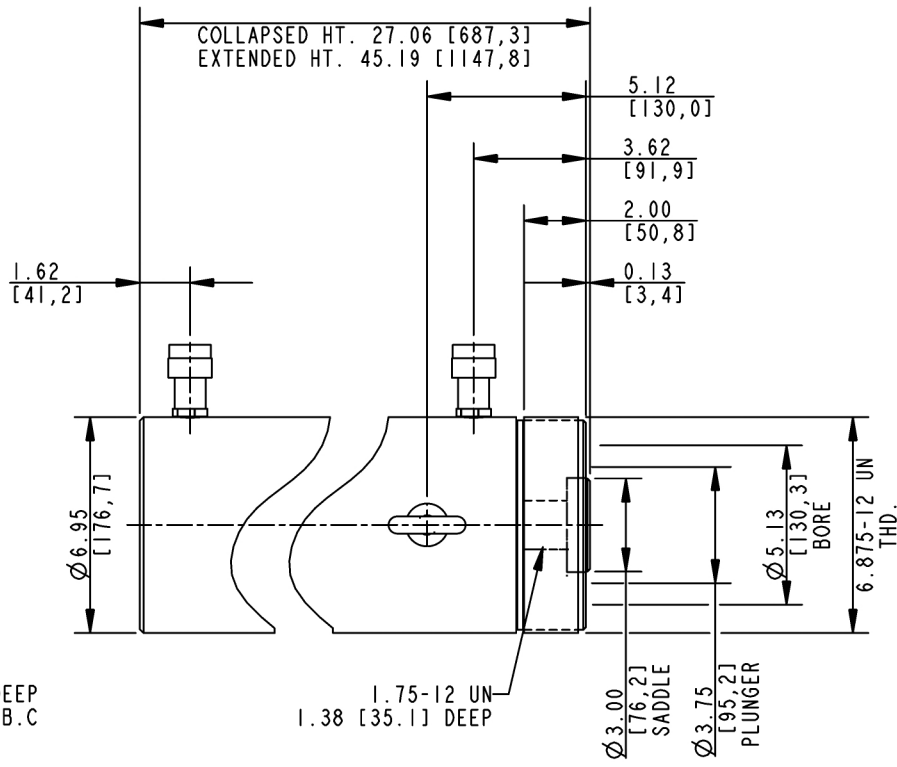


REVISION HISTORY		
REV	ECM #	DATE/INITIAL
B	0502040	10-14-08/KB



.750-10 UN  
1.00 [25,4] DEEP  
5.50 [139,7] B.C



**SPECIFICATIONS:**

CAPACITY PUSH - 100 TON [90.8 METRIC TONS]  
 CAPACITY PULL - 48 TON [43.6 METRIC TONS]  
 STROKE - 18.13 IN. [460,5 MM]  
 OIL CAPACITY PUSH - 374 CU. IN. [6128,7 CU. CM.]  
 OIL CAPACITY PULL - 174 CU. IN. [2851,3 CU. CM.]  
 EFFECTIVE AREA PUSH - 20.65 SQ. IN. [133,2 SQ. CM.]  
 EFFECTIVE AREA PULL - 9.60 SQ. IN. [61,9 SQ. CM.]  
 INTERNAL PRESSURE AT CAPACITY PUSH - 9700 P.S.I [669 BAR]

<b>THIRD ANGLE PROJECTION</b> 	UNLESS OTHERWISE SPECIFIED <b>DIMENSIONS ARE IN INCHES</b> TOLERANCES ARE: DECIMALS METRIC .XX ± .01 X.X ± 0.25mm .XXX ± .005 X.XX ± 0.1mm <b>ANGLES ± 1°</b> <b>DO NOT SCALE DRAWING</b>	DATE	<b>ENERPAC</b>
		DRAWN BY: KB APPROVALS CHECKER: FS ENGR: FS	
<b>FINISH UNLESS SPECIFIED</b> 	<b>MATERIAL:</b> <b>FINISH:</b> <b>TREATMENT:</b>	<b>TITLE</b> 100 TON CYLINDER ASSEMBLY RR10018	
THIS PRINT AND INFORMATION HEREIN IS CONFIDENTIAL AND PROPRIETARY AND IS THE PROPERTY OF ENERPAC. IT IS NOT TO BE COPIED OR REPRODUCED WITHOUT WRITTEN PERMISSION.		SIZE <b>B</b> SCALE 1:4	DWG NO. ID1697 DWG FORMAT Pro/E SHEET 1 of 1 Production B.2