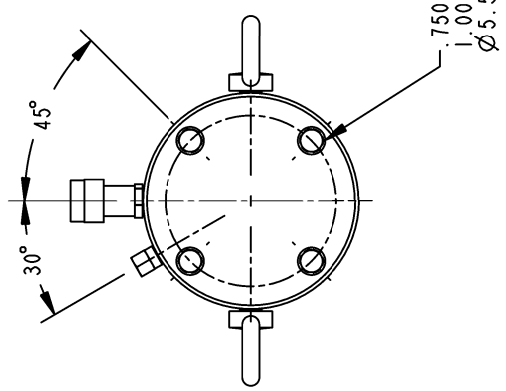
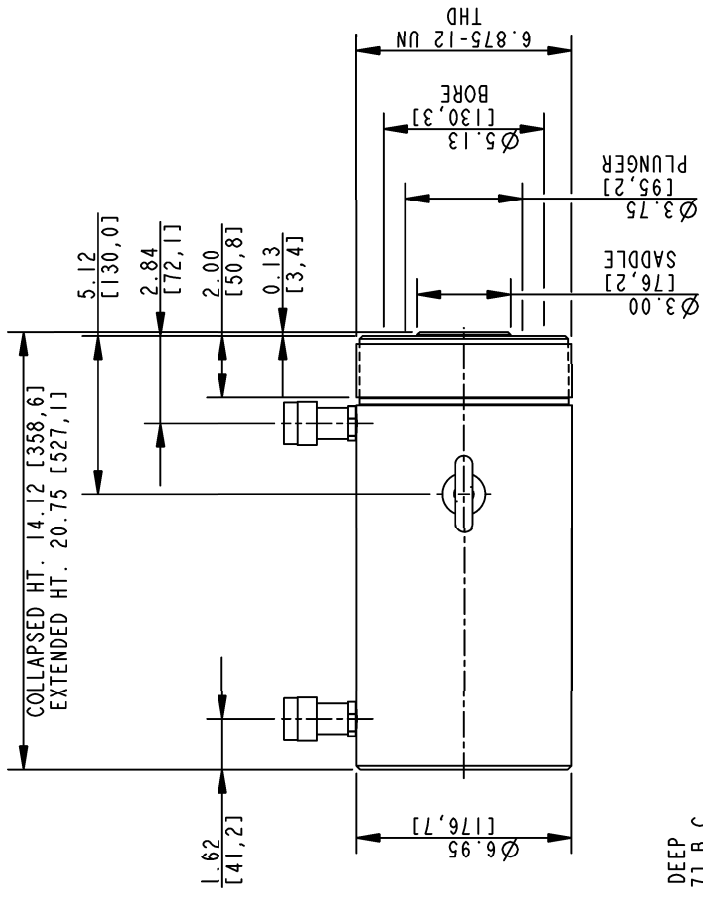
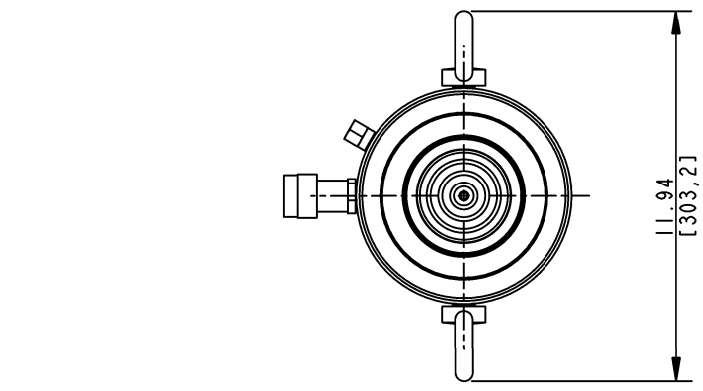


REVISION HISTORY		
REV	ECH #	DATE/INITIAL
B	0502040	10-20-08/NB



SPECIFICATIONS:

- CAPACITY PUSH - 100 TON [90.8 METRIC TONS]
- CAPACITY PULL - 48 TON [43.6 METRIC TONS]
- STROKE - 6.62 IN. [168.1 MM]
- OIL CAPACITY PUSH - 137 CU. IN. [2245 CU. CM.]
- OIL CAPACITY PULL - 63 CU. IN. [1032.4 CU. CM.]
- EFFECTIVE AREA PUSH - 20.65 SQ. IN. [133.2 SQ. CM.]
- EFFECTIVE AREA PULL - 9.60 SQ. IN. [61.9 SQ. CM.]
- INTERNAL PRESSURE AT CAPACITY PUSH - 9700 P. S. I [669 BAR]

THIRD ANGLE PROJECTION

FINISH UNLESS SPECIFIED

$R_{1/4}$ (1/4 mm)

UNLESS OTHERWISE SPECIFIED DIMENSIONS ARE IN INCHES TOLERANCES ARE:

DECIMALS	METRIC
.XX ± .01	X, X ± 0.25mm
.XXX ± .005	X, X ± 0.1mm
ANGLES ± 1°	

DO NOT SCALE DRAWING

DATE	20-Oct-08
DRAWN BY: KB	
APPROVALS	
CHECKER: FS	
ENGR: FS	

ENERPAC®

TITLE
100 TON CYLINDER ASSEMBLY
RR1006

SIZE B
SCALE 1:4
DWG NO. ID1695

PRO/E | **SHEET** 0 f | **Production** B.2

THIS PRINT AND INFORMATION HEREIN IS CONFIDENTIAL AND PROPRIETARY AND IS THE PROPERTY OF ENERPAC. IT IS NOT TO BE COPIED OR REPRODUCED WITHOUT WRITTEN PERMISSION.