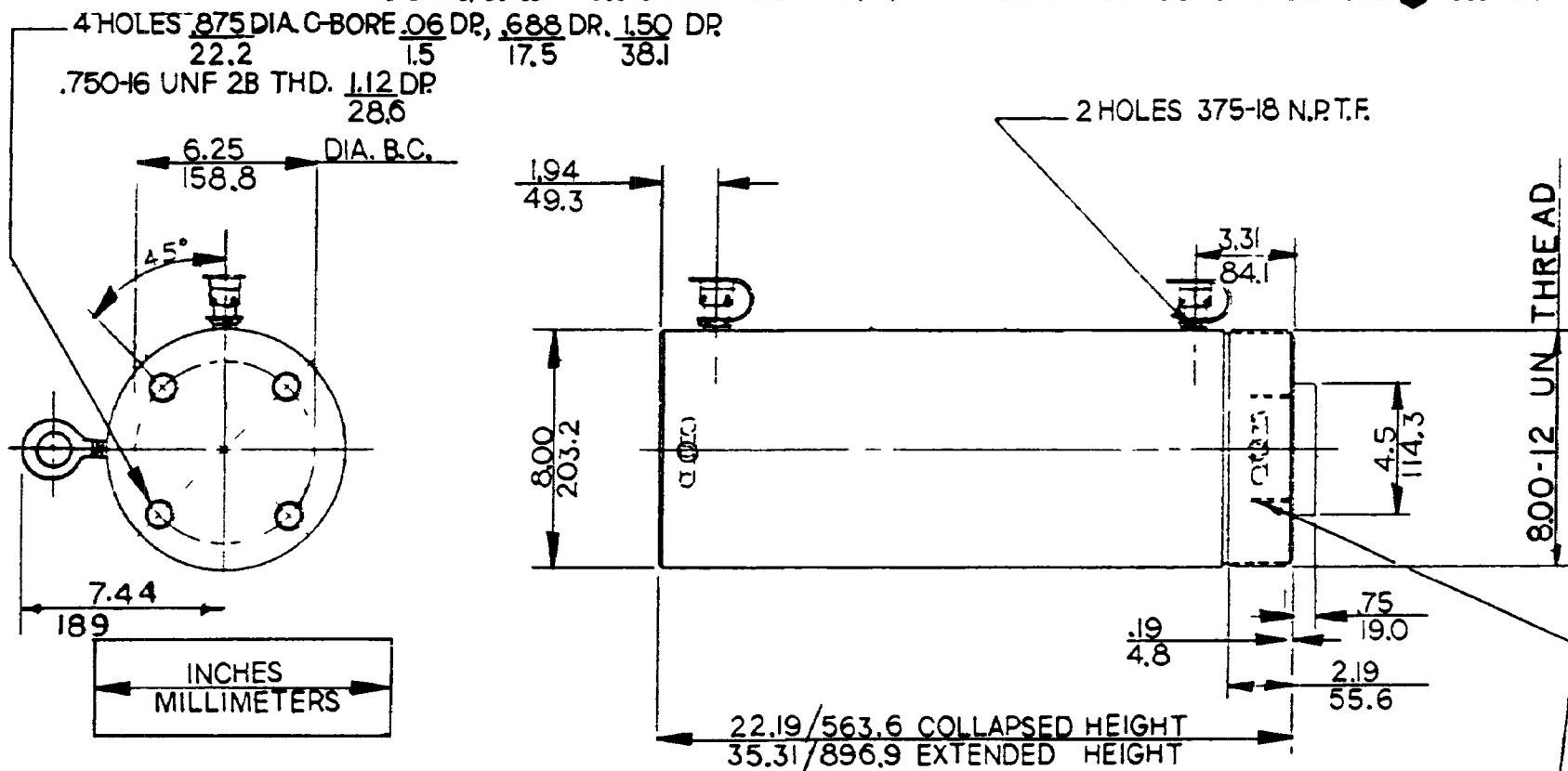


ENERPAC, BUTLER WISCONSIN 53007 TELEPHONE (414) 781 6600 TELEX 026 682 DIVISION OF APPLIED POWER INDUSTRIES INC



EFFECTIVE AREA PUSH-30.68 SQ. IN. / 197.94 SQ. CM.
 EFFECTIVE AREA PULL-14.78 SQ. IN. / 95.36 SQ. CM.
 OIL CAP. PUSH-402 CU. IN. / 6587 CU. CM.
 OIL CAP. PULL-194 CU. IN. / 3179 CU. CM.
 STROKE-13.125/333.4

INT. PRESS. AT CAP. PUSH-9778 PSI / 67434.5 KN/m²
 INT. PRESS. AT CAP. PULL-10,000 PSI / 68965.5 KN/m²
 FORCE PUSH-300,000 lbs. / 136,080 kg.
 FORCE PULL-147,800 lbs. / 67,042 kg.
 WEIGHT: 270 lbs. / 122.5 kg.

3.375-16 UN 2B THD.
 1.375 DEEP
 34.9