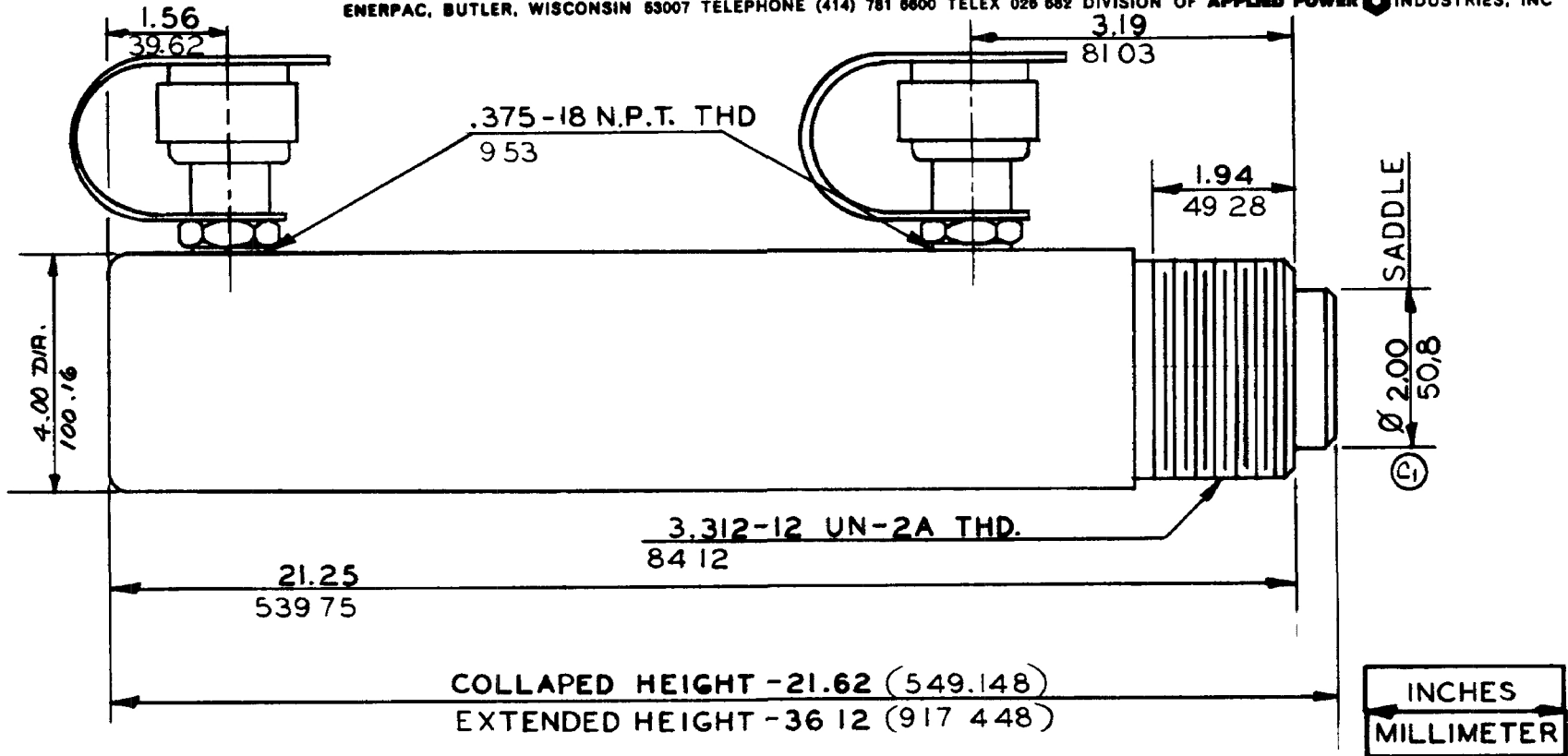


ENERPAC, BUTLER, WISCONSIN 53007 TELEPHONE (414) 781 6600 TELEX 026 682 DIVISION OF APPLIED POWER INDUSTRIES, INC



MODEL NO. **RR-3014**

WEIGHT - 60 LBS./27Kg.
 RATED CAPACITY - 30 TON PUSH/29526 M.TONS
 5.25 TON PULL/5167 M.TONS
 PLUNGER DIA. - 2.12 IN/53.8MM
 RAM TRAVEL - 14.50 IN/368.3MM
 RAM AREA - 6.33 PUSH --- 2.80 PULL
 OIL CAPACITY - 92 CU.IN. PUSH/1506,96CM³
 41 CU.IN. PULL/671,58CM³

PRESSURE AT RATED LOAD :
 PUSH - 9250 P.S.I./637,8 BAR
 PULL - 3500 P.S.I./241,3 BAR
 HANDLE EFFORT ON PUMPS:
 P84 AND P464
 USE WITH 4-WAY VALVE (REMOTE OR PUMP MOUNTED)
 PLUNGER INTERNAL
 THRD. 1.500-16 UN X
 1.00/25,4 DEEP.

CHG. C 12-18-86 CHANGE B 7-23-84 ID NO. **934**

D34476