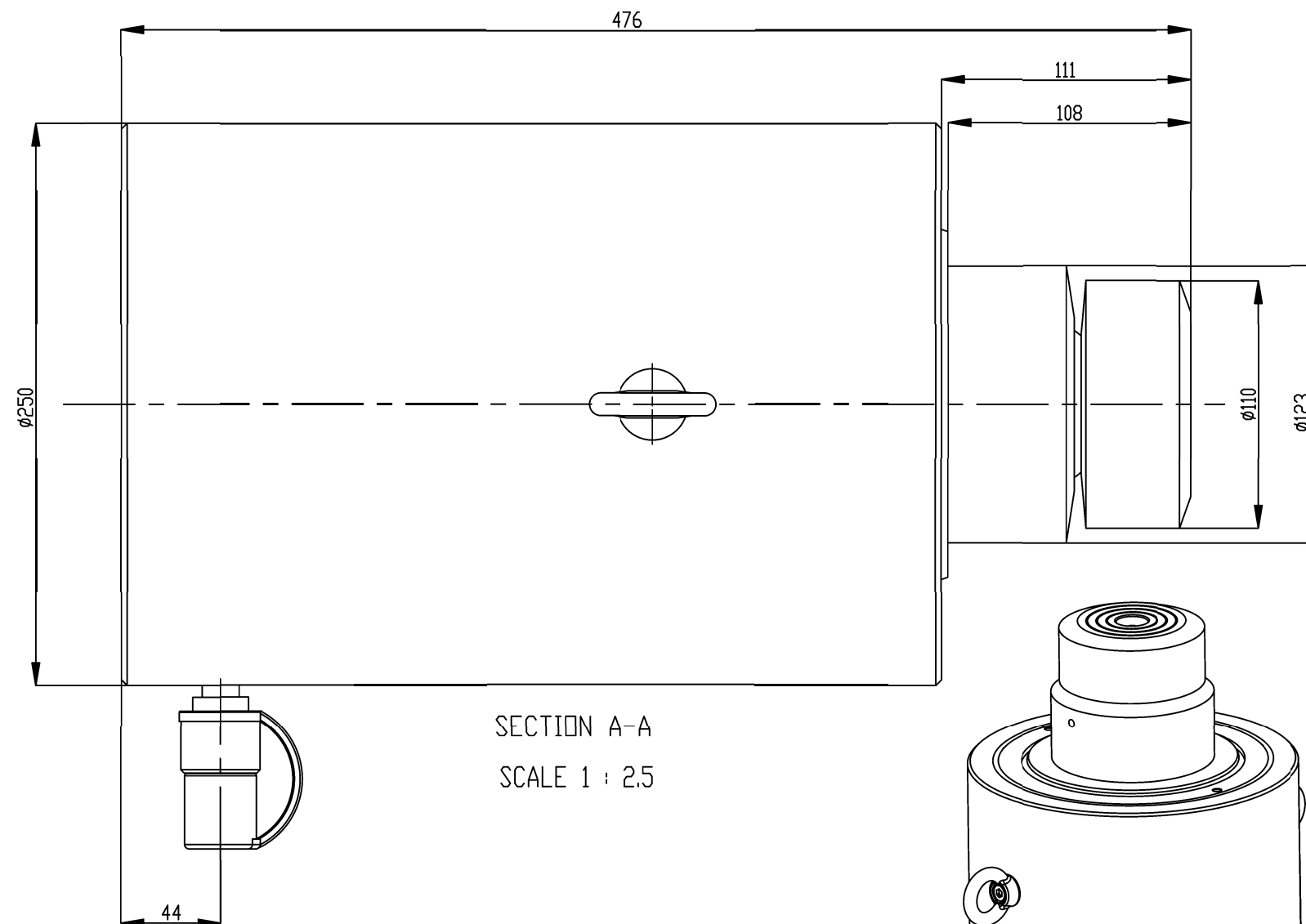
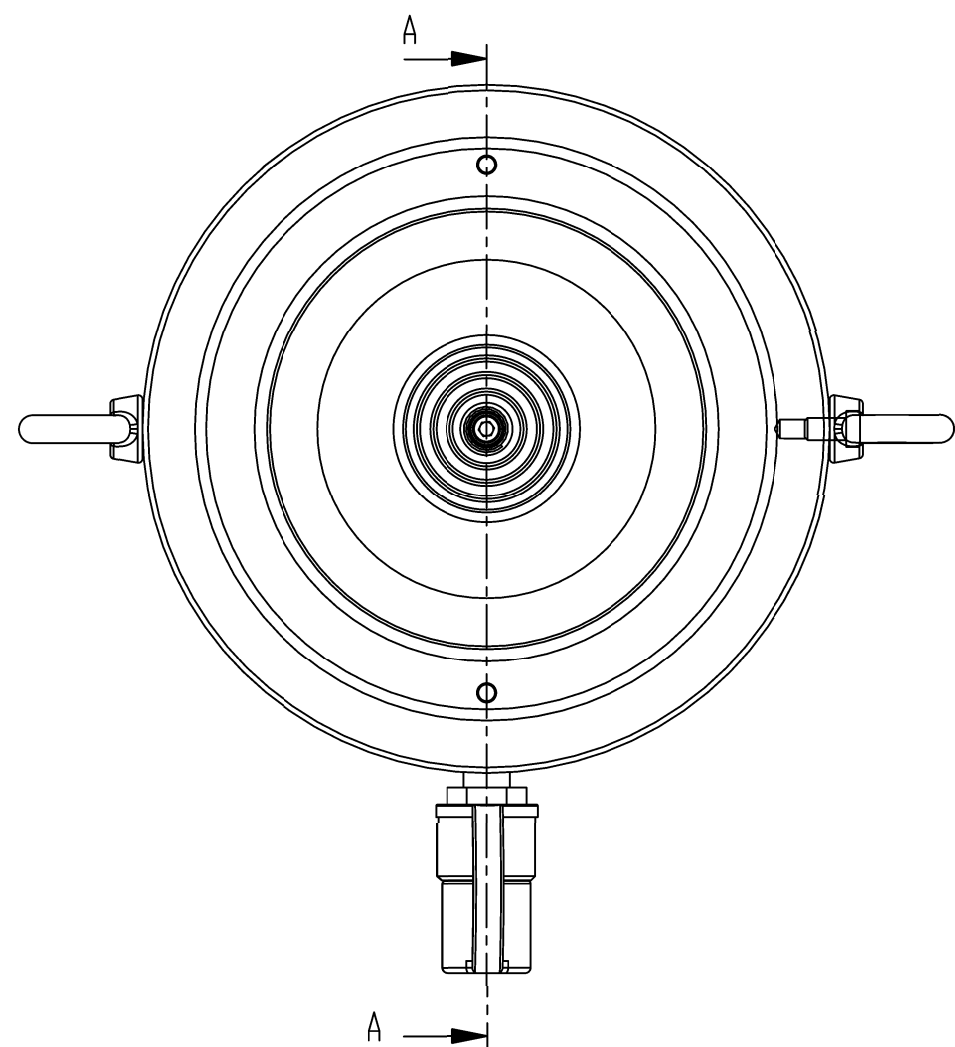
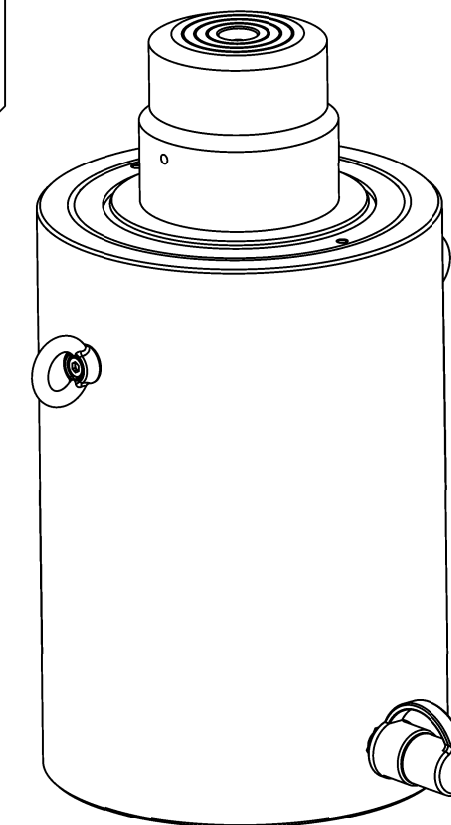




ECN0044705



SECTION A-A
SCALE 1 : 2.5



PUSH CAPACITY 1ST STAGE: 202.38TM (1984.70KN)
 PUSH CAPACITY 2ND STAGE: 80.73TM (791.68KN)
 PUSH CAPACITY 3RD STAGE: 31.53TM (309.25KN)
 STROKE: 200 + 200 + 200 = 600mm
 PUSH AREA 1ST STAGE: 283.5cm²
 PUSH AREA 2ND STAGE: 113.1cm²
 PUSH AREA 3RD STAGE: 44.17cm²
 TOTAL PUSH OIL VOLUME: 8816cm³
 INTERNAL PLUNGER:
 ROD DIAMETER: 65mm
 PISTON DIAMETER: 75mm
 MEDIUM PLUNGER:
 ROD DIAMETER: 100mm
 PISTON DIAMETER: 120mm
 EXTERNAL PLUNGER:
 ROD DIAMETER: 160mm
 PISTON DIAMETER: 190mm
 PRESSURE: 700bar
 WEIGHT: 124 Kg
 TILT SADDLE ANGLE: ±5°

Language Code - Primary/Secondary	Document Type:	Description:		
eng/ENG	Assembly	RT3323 ID DRAWING		
FIRST ANGLE PROJECTION 	Technical Reference:	Telescopic 33 ton 23"stroke three-stage cylinder		
DO NOT SCALE DRAWING	Approver:	Rev	Date of Issue	Sheet
	JCG	C	2017JUN21	B170020ID-60 1/1
Per ASME Y14.5 - 2009	Creator:	This print and information herein is confidential and proprietary and is the property of ENERPAC. It is not to be copied or reproduced without written permission.		
	Miguel Montero	ENERPAC 		

A3