

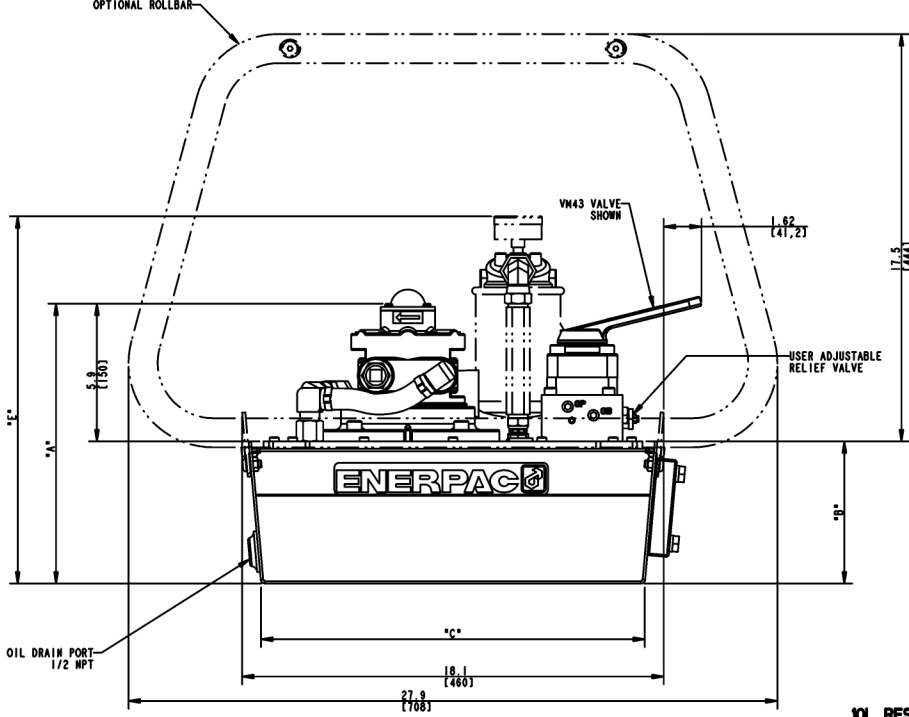
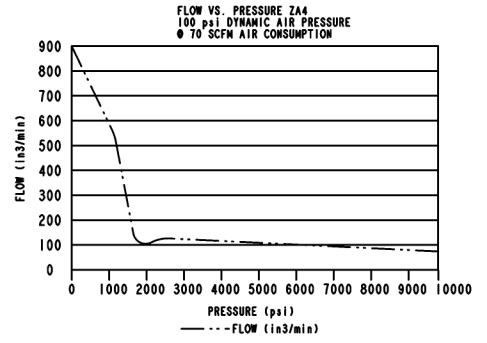
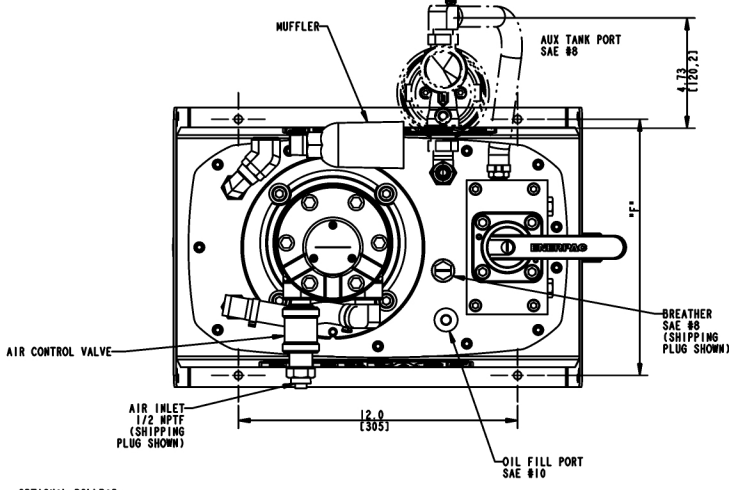
PRODUCT SPECIFICATIONS

REVISION HISTORY		
REV	ECH #	DATE/INITIAL
A	0510000	01-10-06/JMB
B	0510000	01-13-06/JMB

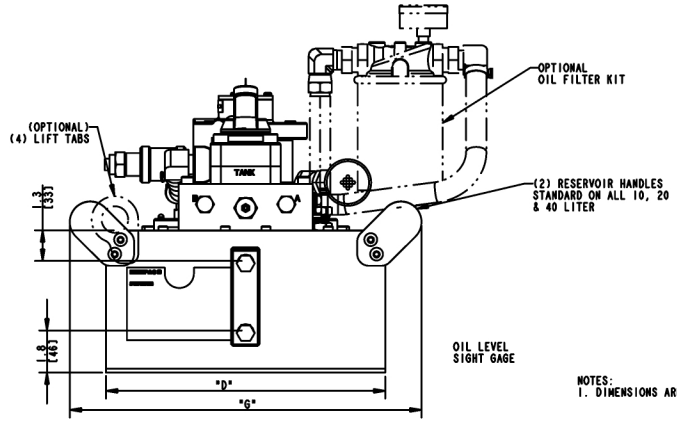
TEMPERATURE RANGE	-20° TO 140°F [-29° TO 50°C]
VISCOSITY RANGE	150-165 S.U.S. [15-250c.St]
HYDRAULIC OIL	ISO GRADE 32
SEAL MATERIAL	VITON & BUNA-N
MAX PRES STANDARD PUMP	10,000 PSI [689 BAR]
dB _a RATING	94-97 dB _a @ 100 PSI DYNAMIC

TANK SIZE	"A" in [mm]	"B" in [mm]	"C" in [mm]	"D" in [mm]	"E" in [mm]	"F" in [mm]	"G" in [mm]	WEIGHT W/VH43 AND OIL NO OPTIONS lbs [kg]
2.5 GAL [10 LT]	12.0 [305]	6.1 [155]	16.5 [419]	12.0 [305]	17.4 [442]	11.0 [279]	15.1 [384]	87.1 [39.5]
5.0 GAL [20 LT]	13.0 [330]	7.1 [180]	16.3 [414]	16.6 [421]	18.4 [467]	15.6 [396]	19.7 [500]	113.9 [51.7]
10.0 GAL [40 LT]	16.5 [419]	10.6 [269]	15.7 [399]	19.9 [505]	21.9 [556]	18.9 [480]	23.0 [584]	164.6 [74.7]

NOTE: ALL DIMENSIONS ARE FOR REFERENCE ONLY.



10L RESERVOIR SHOWN WITH OPTIONAL HEAT EXCHANGER



NOTES:
1. DIMENSIONS ARE FOR REFERENCE ONLY

	UNLESS OTHERWISE SPECIFIED DIMENSIONS ARE IN INCHES TOLERANCES ARE:	DATE	
	FINISH UNLESS SPECIFIED ✓ 75° TYP DO NOT SCALE DRAWING	TOLERANCES ARE: FRACTIONS DECIMALS 1/16, 1/32, 1/64 0.015, 0.005, 0.0025 ANGLES ± 1°	
DIMENSIONAL: FINISH: TREATMENT:	THIS PRINT AND INFORMATION HEREIN IS CONFIDENTIAL AND PROPRIETARY AND IS THE PROPERTY OF ENERPAC. IT IS NOT TO BE COPIED OR REPRODUCED WITHOUT WRITTEN PERMISSION.	SIZE D SCALE 3:8 PROJE Pro/E SHEET 1 of 1	ID 10872