

## ▼ Skid Tracks



### SKID TRACKS

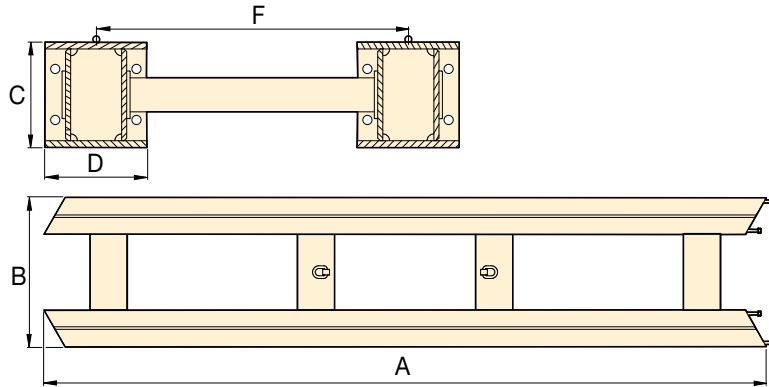
Allows for easy leveling of the gantry leg, available in two standard lengths.

- Required to support and level gantry
- Smoother travel, better load distribution
- Includes lifting eyes and/or fork pockets.



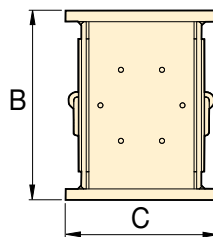
### Skid Track End-Stop

Safety device prevents over-travel.  
Order model number: **TES**

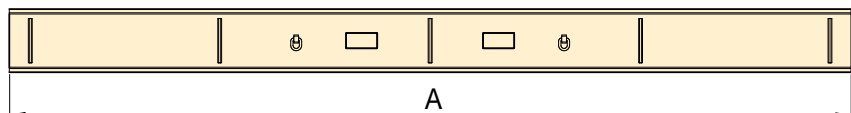


Used with Gantry Series	Model Number	Track Length	Track Width	Track Height	Track Base	Track Gauge	
		A (meters)	B (mm)	C (mm)	D (mm)	F (mm)	
SL100	<b>GST100-3</b>	3,0	810	200	200	610	420
	<b>GST100-6</b>	5,9	810	200	200	610	850
SL200, 300, SL400N	<b>GST400-3</b>	3,0	830	280	220	610	705
	<b>GST400-6</b>	5,9	830	280	220	610	1370
SL400	<b>GST1100-3</b>	3,0	1214	310	300	914	1040
	<b>GST1100-6</b>	5,9	1214	310	300	914	2030

## ▼ Header Beam



This drawing represents HBB beams, HBH beams are H-beams.



### HEADER BEAMS

Sold in pairs and includes lifting points and/or fork pockets for easy positioning on gantry legs.

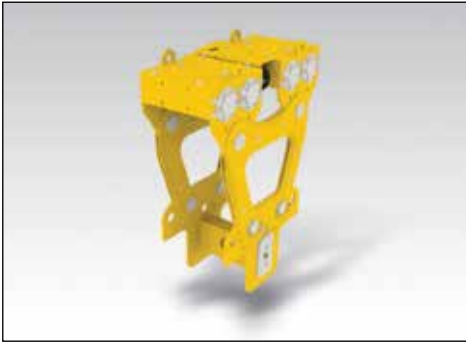
- Supplied with load chart
- Includes lifting eyes and/or fork pockets
- All gantries are designed to accept either HBH- or HBB-Series beams.

Maximum Load at Beam Center *	Model Number	Beam Length <sup>1)</sup>	Beam Depth	Beam Width	
		A (meters)	B (mm)	C (mm)	
<b>625</b>	<b>HBH6</b>	6,0	432	307	1603
<b>685</b>	<b>HBH8</b>	8,0	572	306	2365
<b>1010</b>	<b>HBB8</b>	8,0	600	480	3300
<b>800</b>	<b>HBB10</b>	10,0	600	480	4100
<b>1320</b>	<b>HBB12</b>	11,95	950	480	6468

\* Based on single point in center of beam. Consult Enerpac for load chart showing capacity off center per lifting anchor.

# Additional Gantry Accessories

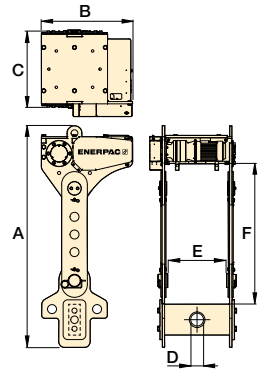
## ▼ Powered Side-Shift



## POWERED SIDE-SHIFT

Electric propulsion controlled by standard gantry controls.

- Used to shift load along header beam
- Each side-shift contains an electric drive
- Utilizes existing gantry wireless control
- Set of four includes sturdy transport frame.



Used with Header Beam	Model Number <sup>1)</sup>	Capacity per Side Shift (kN)	Motor Power (kW)	Travel Speed (cm/min)	Side Shift Height <sup>2)</sup> A (mm)	Side Shift Width B (mm)	Side Shift Depth C (mm)	Pin Hole Diameter D (mm)	Internal Width E (mm)	Internal Height F (mm)	Weight per Side Shift Unit (kg)
HBH	<b>SSU150</b>	375	0,75	50	1200	590	665	75	325	695	350
HBB	<b>SSU300</b>	750	0,75	90	1944	796	749	110	490	1235	814
HBB	<b>SSU600</b>	1500	0,75	90	1928	1400	749	145	490	1186	1500

<sup>1)</sup> Each model number includes 4x propelled unit and cable guides.

<sup>2)</sup> Custom heights available on request.

## ▼ Top Swivel Kit

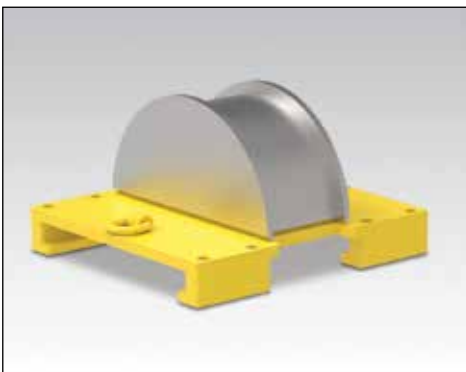


## TOP SWIVEL KITS

- Mounts to top of SSU series side shift units
- Provides mounting for additional header beam
- Swivel head makes installation simple.

Used with Powered Side-Shift Model	Top Swivel Kits Model Number (includes 4 units)	Capacity per Top Swivel Unit (kN)	Capacity with 4x Units (kN)	Weight per Top Swivel Unit (kg)
SSU150	<b>TSK150</b>	375	1500	95
SSU300	<b>TSK300</b>	750	3000	230
SSU600	<b>TSK600</b>	1500	6000	705

## ▼ Sling Guide



## SLING GUIDES

- Rounded surface to protect slings from external damage
- Bolts to header beam for secure mounting.

Used with	Model Number (includes 4 units)	Sling Guide mounts to top of	Capacity per Unit (kN)	Weight per Unit (kg)
HBH-Series	<b>HBHSG</b>	Header Beam	500	98
HBB-Series	<b>HBBSG</b>	Header Beam	2500	165
SSU150-Series	<b>SSG150</b>	Side-Shift Unit	375	23
SSU300-Series	<b>SSG300</b>	Side-Shift Unit	750	75
SSU600-Series	<b>SSG600</b>	Side-Shift Unit	1500	77

## ▼ Control Panel and Cable Reels for SSU-Series Side-Shifts (controls side-shift unit separate from gantry controls)

Description (for use with SSU-Series Powered Side-Shifts)	Model Number	Cable Length (m)	Set	Weight per Unit (kg)
Control Panel *, 380-400 VAC, 50 Hz	<b>SSPW</b>	25	—	175
Control Panel *, 460-480 VAC, 60 Hz	<b>SSPJ</b>	25	—	175
Side-Shift Cable Reels	<b>SSCR-1</b>	20	4	50

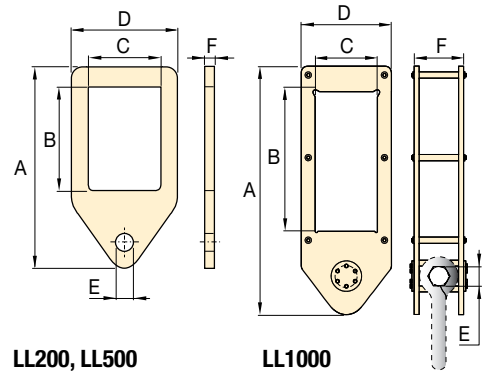
\* With remote control panel.

## ▼ Lifting Anchor



## LIFTING ANCHORS

- Transfer load to the top of the header beam
- Used to attach rigging to header beam
- Manually spaced to desired location.



LL200, LL500

LL1000

Used with Header Beam	Model Number	Capacity per Anchor (kN)	Anchor Height	Beam Hole Depth	Beam Hole Width	Anchor Width	Pin Hole Diameter	Anchor Depth	(kg)
			A (mm)	B (mm)	C (mm)	D (mm)	E (mm)	F (mm)	
HBH	LL200	500	925	582	320	420	75	30	40
HBB	LL500	1250	1955	1100	490	710	205	40	220
HBB	LL1000 *	2500	1955	1100	490	710	130	428	600

\* LL1000 is built with two LL500 plates connected together and designed to use heavy-duty shackle (not included)

## ▼ Slings



## SLINGS

- Lightweight and flexible
- Safe and easy to handle
- Reduces wear on painted surfaces
- Durable construction
- Heat-resistant and non-conductive
- Available with added HMPE wear protection where needed.

## ▼ Slings (endless grommet)

Capacity (kN)	Length (metres)	Sling Model Number
180	2	EGS18-2
	4	EGS18-4
	6	EGS18-6
390	2	EGS39-2
	4	EGS39-4
	6	EGS39-6
1120	6	EGS112-6
	8	EGS112-8
	10	EGS112-10
2510	6	EGS251-6
	8	EGS251-8
	10	EGS251-10

## ▼ Shackles



## SHACKLES

- Green Pin® Brand Shackles
- Standard bow shackle with safety pin
- Other styles available upon request.

## ▼ Shackles

Capacity (kN)	Shackle Model Number
170	GPS17
350	GPS35
1500	GPS150
2500	GPS250

# Additional Gantry Accessories



For  
**SL**  
**SBL**  
Series



## ▼ Azobe Wood Track Timbers



## ▼ Timbers and Steel Plate Accessories

Used with Gantry	Model Number	Material	Dimensions (mm)			Description
			L	W	H	
All Gantry Series	<b>STAWTF</b>	Transport Frame for Azobe Timbers	1540	1040	1365	Frame for 100 pieces
	<b>STAW100</b>	Azobe Wood Track Timbers	1500	100	100	Includes 100 pieces
	<b>STSP500</b>	Steel Shimming Plates	300	300	1,0	Includes 500 plates

## ▼ Power Distribution Box

Includes one 63A inlet with mating connector and two 32A outlets.

Used with Gantry	Power Distribution Box Model Number	Description
All SL and SBL-Series	<b>PDB32W</b>	380-400 VAC, 50 Hz
	<b>PDB32J</b>	460-480 VAC, 60 Hz

## ▼ Tarpaulin Covers



## ▼ Tarpaulin Covers for storage.

Not designed for open road transport.

Used with Gantry	Tarpaulin Cover Model Number	Description
SL100	<b>TCSL100</b>	Protects gantry from indoor and outdoor elements during storage
SL200	<b>TCSL200</b>	
SL300	<b>TCSL300</b>	
SL400N	<b>TCSL400N</b>	
SL400	<b>TCSL400</b>	
SBL500	<b>TCSBL500</b>	
SBL900	<b>TCSBL900</b>	
SBL1100	<b>TCSBL1100</b>	