

▼ LH-Series, Low-Height Skidding System



- **Low starting height saves time and increases versatility**
- **Portable design allows for easy transport and setup**
- **System can push or pull load without relocating skidding cylinder**
- **Skid track sections bolt together to allow each setup to be customized as needed**
- **Replaceable PTFE skid pads lower the total cost of ownership.**

▼ *LH400, Low-Height Skidding System provides the service team with the ability to maneuver and transport a press frame.*



Low-Height Skidding System for Heavy Loads

The Ideal Low-Height Jack & Slide Solution



Skidding Systems

The Skidding System is comprised of a series of skid beams moved by hydraulic push-pull cylinders, travelling over a pre-constructed skid track.

A series of special PTFE-coated Teflon® pads are placed on the skid tracks to reduce friction. The push-pull cylinders are then connected by hydraulic hoses to our Split-Flow Pump. The Split-Flow Pump can be mounted on an optional pump cart for easy transport.

An optional storage and transport frame easily holds the equipment in between use.

▼ *LH400 Skidding used to remove an old press from a facility to make room for new equipment.*



Low-Height Skidding System



Low-Height Skidding Jack Starter Kit - LH400SKW

A complete starter kit is available to fit the needs of any jack and slide application. This system comes with two skidding units that will support up to 3560 kN in total. This kit will get the job done, but there are optional accessories available in addition (see page 360-361).

Each skidding unit will have 1 push-pull unit, 2 skid beams, 5 skid tracks, and 2 hoses.

The Split-Flow Pump has 2 outlets and can be easily towed on the pump cart. After the job is complete, components can be stowed on the included storage frame.

LH400SKJ Starter Kit includes:	Model Numbers	Qty
Push-Pull Unit (1780 kN)	LHPP25	2x
Skid Beam A (1 meter)	LHSB1A	2x
Skid Beam B (1 meter)	LHSB1B	2x
Skid Track (1 meter)	LHST1	10x
Split-Flow Pump (400V, 3 ph)	SFP213MW	1x
Pump Cart (for SFP-pump)	LHPC	1x
Hydraulic Hoses (15 m)	HC7250C	4x
Storage/Transport Frame	LHSF	1x

LH Series



Skidding Capacity with two push-pull units:

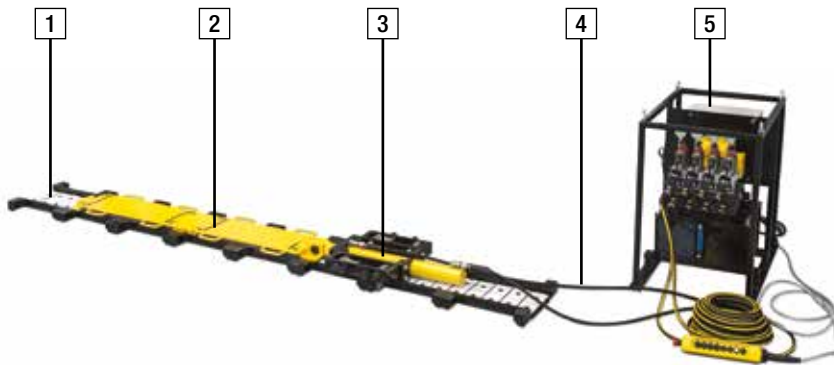
3560 kN

Push-Pull Stroke:

600 mm

Maximum Operating Pressure:

700 bar

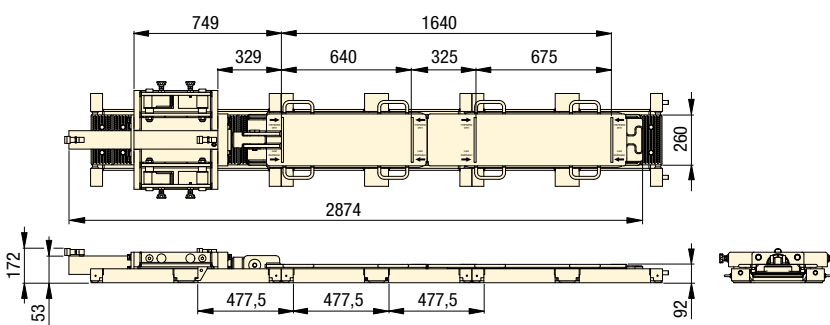


LH-Series, Low-Height Skidding System Requirements

1	Skid Track LHST1	Required
2	Skid Beam LHSB1A + LHSB1	Required
3	Push-Pull Cylinder Unit LHPP25	Required
4	Hydraulic Hoses	Required
5	Split-Flow Electric Pump SFP	Required
6 *	Track Support	Application dependant
7 *	Storage-Transport Frame LHSF	Optional
8 *	Pump Cart LHPC	Optional

* not shown

LH400, Low-Height Skidding System (dimensions in mm)



SFP-Series, Split-Flow Pump

Split-Flow pumps distribute an equal amount of hydraulic oil to a maximum of 8 outlets. Smart valve technology allows both controlled lifting and lowering of heavy loads.

Page: **336**



LHPC Pump Cart

The LHPC pump cart easily tows pump around jobsite and can be used with all models of SFP-Series Split-Flow Pumps.



Hydraulic Power Packs

Energac offers a comprehensive range of hydraulic power packs that are optimized for use with Skidding Systems.

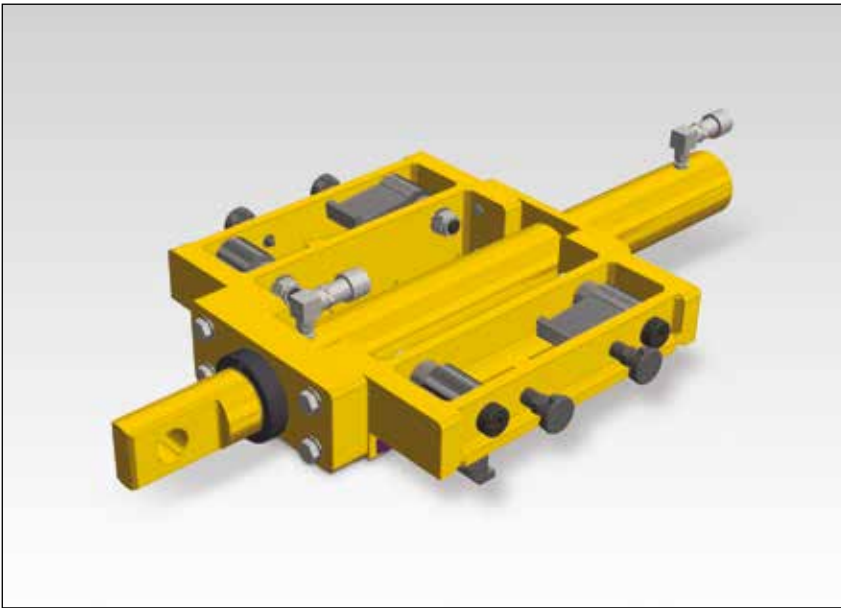


Hoses

Energac offers a complete line of high quality hydraulic hoses. To ensure the integrity of your system, specify only genuine Energac hydraulic hoses.

Page: **128**

▼ LHPP25 Low-Height Push-Pull Unit



Push-Pull Unit

- Connects to first skid beam to push or pull load along skid track
- Easily reverse direction by switching reaction tabs
- Complies to ASME B30.1 and other safety standards.

▼ Low-Height Push-Pull Unit

Maximum Capacity (kN)		Model Number	Stroke (mm)	Weight (kg)
Push	Pull			
222	97,8	LHPP25	600	111

▼ LHSB1A and LHSB1B Skid Beams



Skid Beams

- Interlocks without any fasteners to slide load over skid track;
skid beam A (LHSB1A) attaches to the push-pull unit
skid beam B (LHSB1B) attaches to skid beam A
- Polished stainless steel skid surface
- Carrying handles for easy transport.

▼ Skid Beams

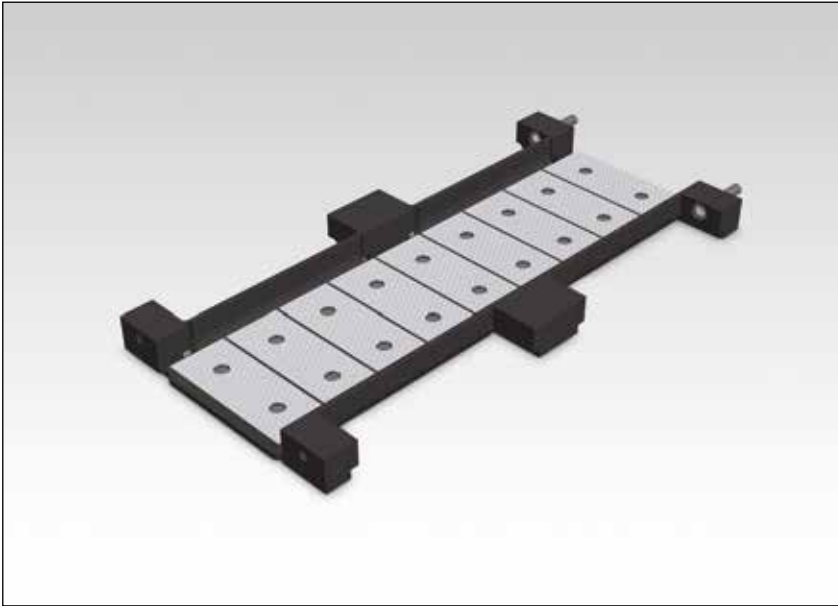
Capacity (kN)	Model Number	Weight (kg)
890	LHSB1A	66
890	LHSB1B	63



◀ Details of push-pull unit of LH400.

Low-Height Skidding Components

▼ LHST1 Skid Track



Skid Track

- Support the load for skidding operations
- Track sections bolt together
- Includes 9 pieces easily replaceable PTFE skid pads.

▼ Skid Track

Maximum Capacity (per skid track) (kN)	Model Number	Track Length (mm)	Weight (incl. pads) (kg)
890	LHST1	955	67

▼ An LH400 Skidding System allows the maintenance team to transport transformers with access limitations.



▼ Low-Height Skidding System assembly (LH400).



LH Series



Skidding Capacity with two push-pull units:

3560 kN

Push-Pull Stroke:

600 mm

Maximum Operating Pressure:

700 bar



Teflon® Pads

A series of special PTFE coated Teflon® pads are placed on the skid tracks. The PTFE surface is matched with the skid beam and designed to achieve minimum friction coefficients.

Replacement Teflon® Pads come in packs of 12 pieces. Order model number **HSKSPS1**.



Storage and Transport Frame

For easy storage and transport of all low-height skidding components.

Fits following components:

- 2x LLPP25 Push-Pull Unit
- 2x LHBS1A Skid Beam A
- 2x LHBS1B Skid Beam B
- 10x LHST1 Skid Tracks

Model Number	Overall Dimensions L x W x H (mm)	Weight (kg)
LHSF	1080 x 935 x 895	200

With all components stored dimensions are: 1080 x 935 x 1003 mm, and total weight 1350 kg.