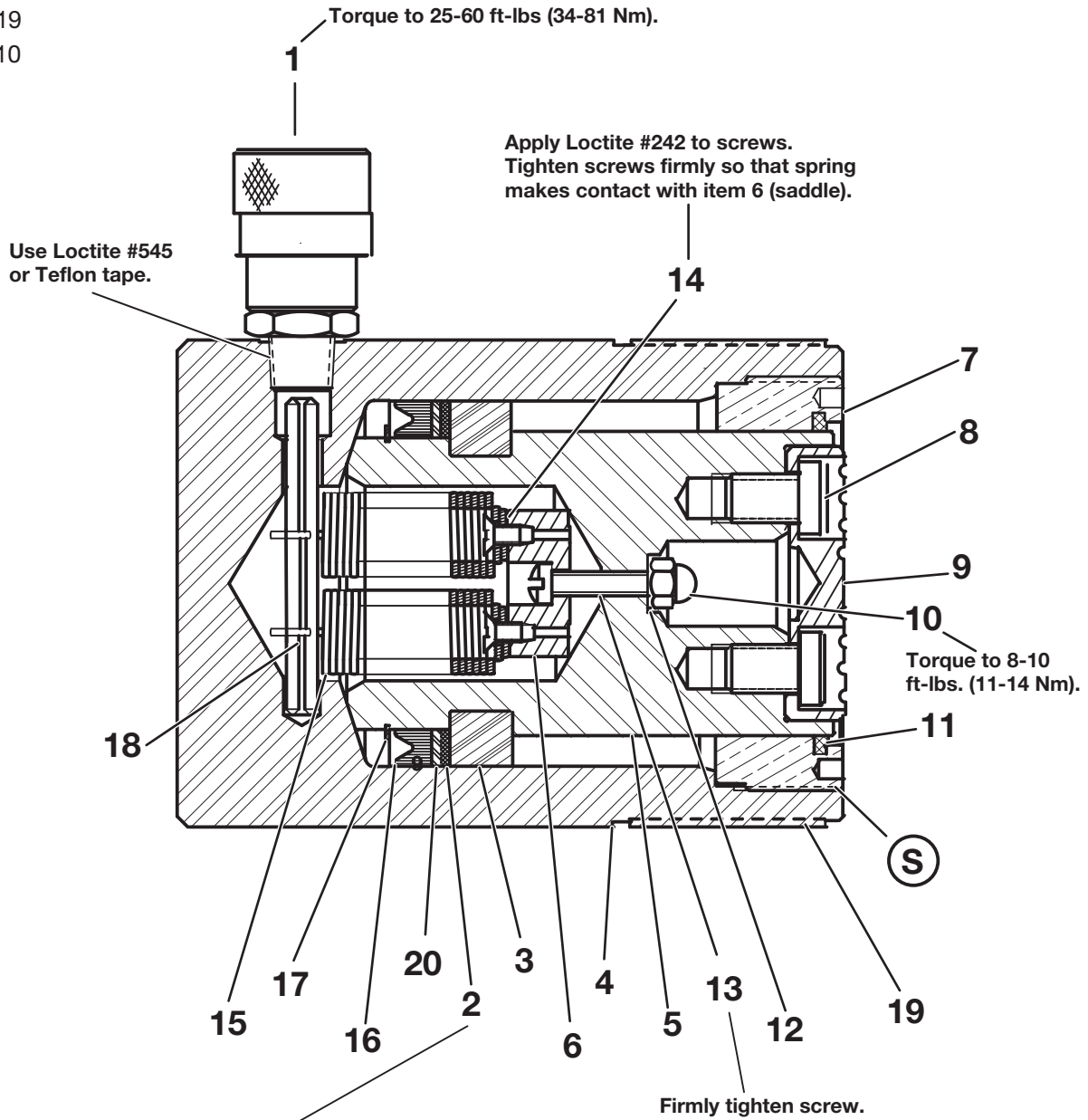


L-871
Rev. B
10/2019
PC4310

For date codes beginning with "B"



Item 2 (washer) must be orientated with radius or chamfered edge toward item 3 (bearing) and sharp edge toward item 16 (U-cup).

(S) CAUTION! Indicates staked threads. Stake mark must be removed prior to disassembly. Failure to do so may result in damage to parts.

Some cylinder stop rings are assembled with Loctite on the threads. Enerpac suggests staking threads when reassembling.

TO PROTECT YOUR WARRANTY, USE ONLY ENERPAC HYDRAULIC OIL.

RC-502 HYDRAULIC CYLINDER REPAIR PARTS LIST

Item No.	Part Number	Quantity	Description
1	CR-400	1	Female Coupler
2	★	1	Washer
3	L341107	1	Bearing
4	(Not Available - order complete cylinder)		Cylinder Base
5	CB603040	1	Plunger
6	DA2285101	1	Spring Anchor
7	Y193044	1	Stop Ring
8	Standard Hardware	2	Cap Screw $1/2 - 13 \text{ UNC} \times 3/4"$
9	L345045SR	1	Saddle
10	Standard Hardware	1	Acorn Nut $1/4 - 28 \text{ UNF}$
11	★	1	Wiper
12	★	1	Gasket
13	F958028	1	Screw
14	DA2286028	2	Screw
15	L202110SR	2	Spring Assembly (includes items 8 & 14)
16	★	1	U Cup
17	★	1	Retaining Ring
18	★	1	Spring Pin $5/16 \times 3/4"$
19	CL401271	1	Thread Protector
20	★	1	Washer (Viton Clyinders only)
	DA5625026	1	Warning Decal
	G424026	1	Enerpac Decal

★ Indicates items included in and available only as part of Repair Kit RC506K (standard) or RC506KV (viton).



www.enerpac.com

L-872
 Rev. B
 03/97
 PC4310

Date Codes Beginning with "B".

NOTE: Cylinder base, **item 2**, is not available as a service item. Order complete cylinder.

NOTE: Install **item 11** with chamfered edge toward item 12 and square edge toward item 10.

NOTE: Apply Loctite 222 screw lock to **item 16**.

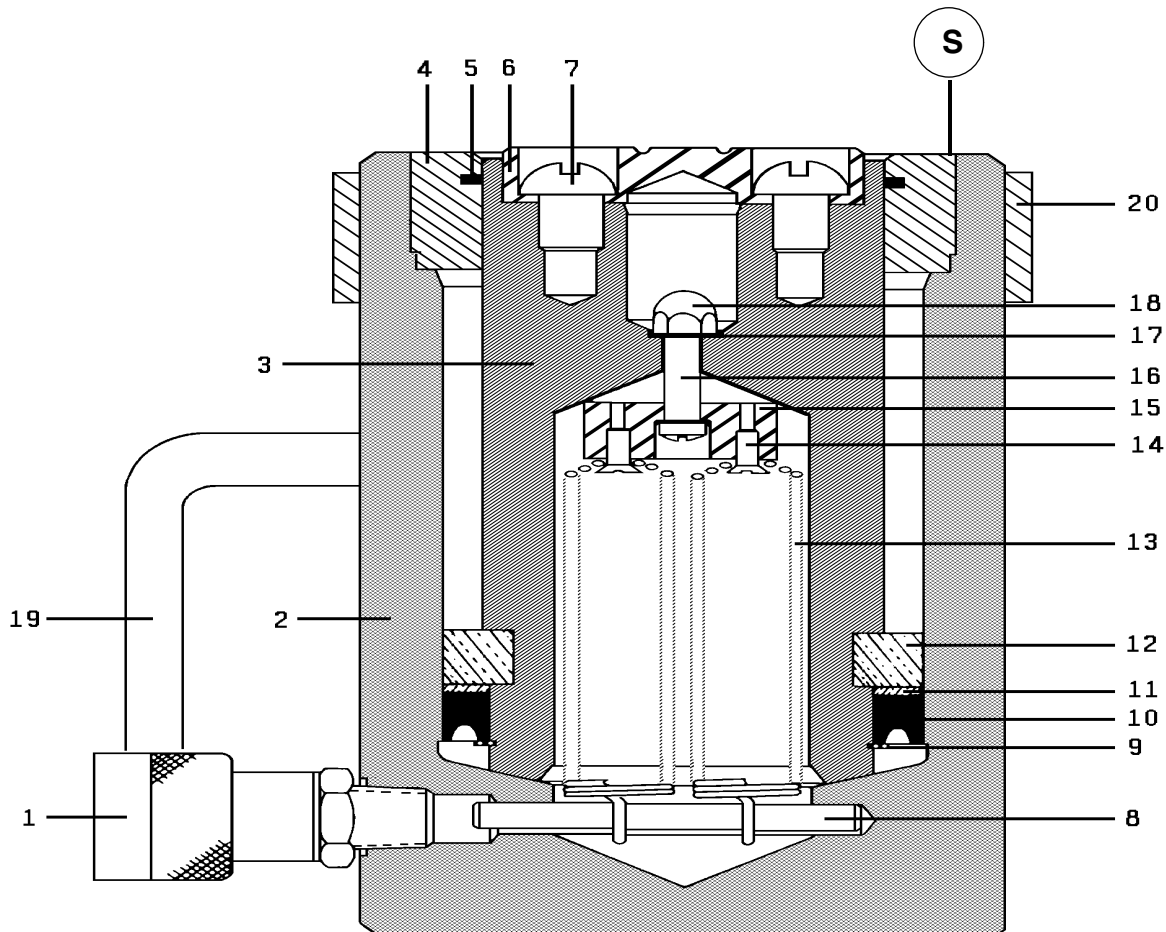
(S) CAUTION

Indicates staked threads.

Stake mark must be removed prior to disassembly. Failure to do so may result in damage to parts.

Some cylinder stop rings are assembled with Loctite on threads.

Enerpac suggests staking threads when reassembling.



INSTALL ALL KIT COMPONENTS TO INSURE OPTIMUM PERFORMANCE OF THE REPAIRED CYLINDER

50 TON, SINGLE-ACTING, SOLID PLUNGER HYDRAULIC CYLINDER

TO PROTECT YOUR WARRANTY, USE ONLY ENERPAC HYDRAULIC OIL.

RC-504 HYDRAULIC CYLINDER REPAIR PARTS LIST

Item No.	Part Number	Quantity	Description
1	CR-400	1	Coupler
2	<i>Not a service item. Order complete base.</i>		Cylinder Base
3	CH170040	1	Plunger
4	Y193044	1	Stop Ring
5	★	1	Wiper Ring
6	L345045SR	1	Saddle (incl. item 7)
7	L661028SR	1	Machine Screw (set of 2)
8	★	1	Spring Pin $\frac{5}{16} \times 3\frac{1}{4}$ (std. hdw.)
9	★	1	Retaining Ring
10	★	1	U-Cup
11	★	1	Washer
12	L341107	1	Rod Bearing (set of 2)
13	CB425110SR	1	Cylinder Spring (set of 2; incl. item 8,14)
14	DA2286028SR	1	Screw (set of 2)
15	DA2285101SR	1	Spring Anchor Block (incl. item 8,14,16, 17,18)
16	<i>Standard Hardware</i>	1	Screw $\frac{1}{4}$ -28 UNF x 1.25
17	★	1	Gasket
18	<i>Standard Hardware</i>	1	Acorn Nut $\frac{1}{4}$ -28 UNF
19	CK571070	1	Handle Assembly
20	CL401271	1	Thread Protector

★ Items included in and available only as part of Repair Kit RC506K

Australia

ENERPAC
Applied Power Australia, Ltd.
P.O. Box 261 Regents Park
Sydney, N.S.W. 2143
Tel: (61) (2) 9743 8988
Fax: (61) (2) 9743 8648

CIS

Applied Power Moscow
Leninsky Prospekt 95A
117313 Moscow, Russia
Tel: (7)(95) 936 5090
Fax: (7)(95) 936 2006

France, Switzerland, Turkey, Greece, Africa, Middle East

ENERPAC S.A.
Parc d'Activité du Moulin
de Massy
1 rue du Saule trapu, BP200
F-91882 Massy CEDEX
(Paris) France
Tel: (33) 1 60 13 68 68
Fax: (33) 1 69 20 37 50

Germany, Scandinavia, Eastern Europe, Austria, Switzerland

ENERPAC
Applied Power GmbH
P.O. Box 30 01 13
Mündelheimer Weg 51
40401 Düsseldorf 30
Germany
Tel: (49) (211) 47 14 90
Fax: (49) (211) 4714 928/940

Holland, Belgium, and Luxemburg

ENERPAC B.V.
P.O. Box 269, Storkstraat 25
3900AG Veenendaal
Holland
Tel: (31) (318) 535911
Fax: (31) (318) 525613/526645

Hong Kong

ENERPAC
Room No. 907, Workingberg
Commercial Building
41-47 Marble Road, North Point
Tel: (852) 561-6295
Fax: (852) 561-6772

India

ENERPAC
Hydraulics (India) Pvt Ltd.
203 Vardhaman Chamber
Plot #84, Sector 17
Vashi, New Bombay 400 705
India
Tel: 91-22-7631062
Fax: 91-22-7670309

Italy

ENERPAC
Applied Power Italiana S.p.A.
Via Canova, 4
20094 Corsico (Milano)
Italy
Tel: 39 2 45 82 741/2/3
Fax: 39 2 48 60 12 88

Japan

Applied Power Japan LTD
10-17 Sasame Kita-cho
Toda-City
Saitama 335,
Japan
Tel: 81 048 422 2251
Telex: J26275
Fax: 81 048 422 0596

Mexico

ENERPAC
Applied Power Mexico S.A. de C.V.
Av. Principal La Paz #100
Fracc. Industrial La Paz
42084 Pachuca. Hidalgo, Mexico
Tel: (52) 771 33700
Fax: (52) 771 83800

Singapore

Applied Power Asia Pte Ltd.
47 Jalan Pemimpin #01-02
01-03 Sin Cheong Building
Singapore 2057
Thomson Road P.O. Box 114
Singapore 9157
Tel: (65) 258 1677
Fax: (65) 258 2847

South Korea

ENERPAC
Applied Power Korea Ltd.
163-12, Dodang-Dong
Wonmi-gu, Buchun-Shi,
Kyunggi-Do
Korea
Tel: (82) (32) 675 0836
Fax: (82) (32) 675 3002

Spain, Portugal

ENERPAC
Applied Power International, S.A.
Calle de la Imprenta, 7
Polígono Industrial
28100 Alcobendas (Madrid)
Spain
Tel: (34) 1 661 11 25
Fax: (34) 1 661 47 89

United Kingdom, Ireland

ENERPAC Ltd. Unit 3
Colemeadow Road
North Moons Moat
Redditch, Worcester B98 9BP
England
Tel: 44 01527 598 900
Fax: 44 01527 585 500

United States, Canada, Latin America and Caribbean

ENERPAC
13000 West Silver Spring Drive
Butler, Wisconsin 53007, USA
Tel: (414) 781-6600
1-800-433-2766 (End User)
1-800-558-0530 (Distributor)
Fax: (414) 781-1049

Canada

Tel: 1-800-426-4129 (End User)
Tel: 1-800-426-2284 (Distributor)

Latin America and Caribbean

Tel: (414) 781-6600 ext. 263
Fax: (414) 781-5561



All Enerpac products are guaranteed against defects in workmanship and materials for as long as you own them. Under this guarantee, free repair or replacement will be made to your satisfaction.

For prompt service, contact your Authorized Enerpac Service Center or call toll free:

**In U.S.A. 1-800-558-0530
In Canada 1-800-426-2284**

L-426
 Rev. D
 04/98
 PC4310

Date Codes Beginning with "B"

NOTE: Cylinder base, item 2, is not available as a service item. Order complete cylinder.

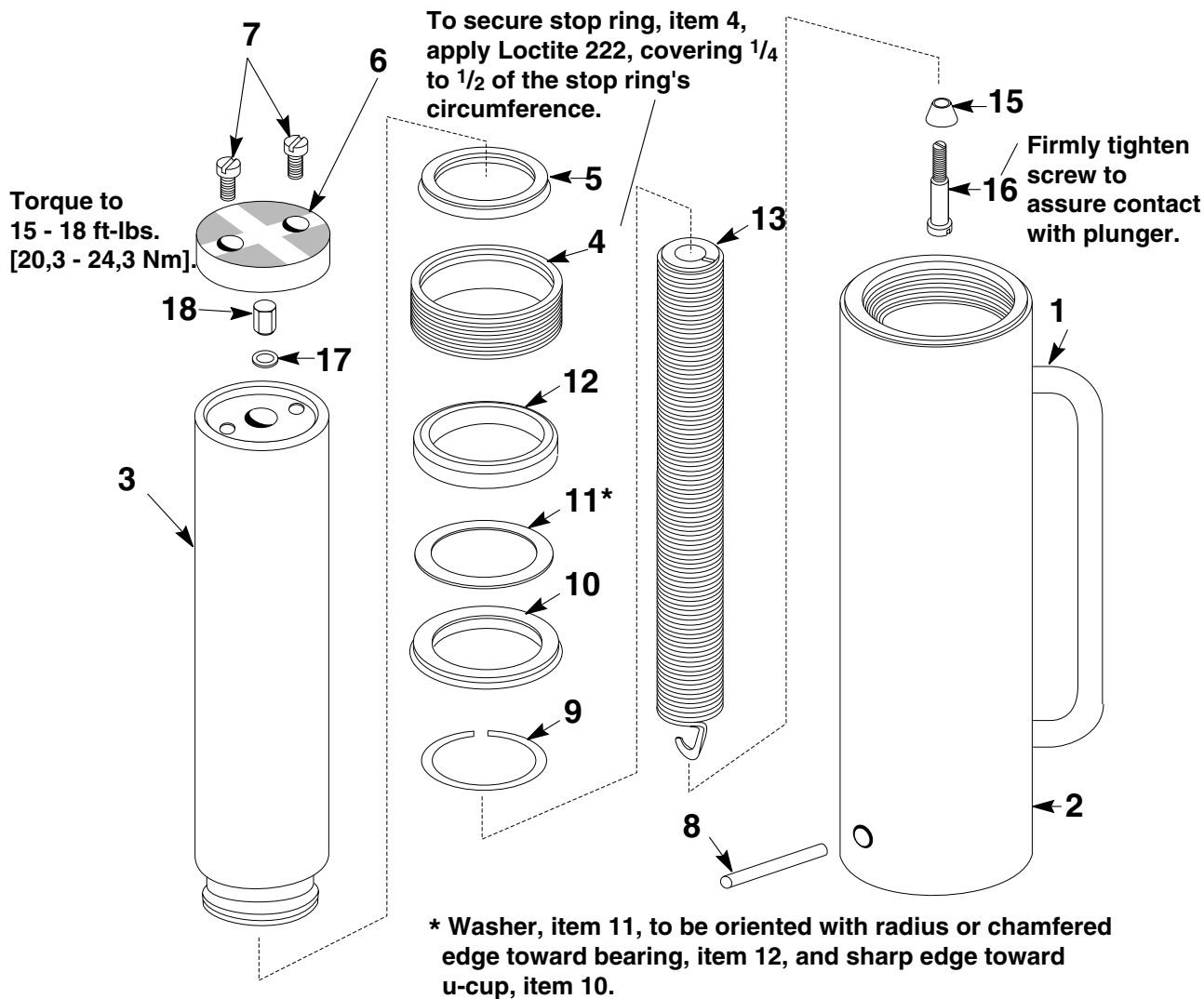


Figure 1

IMPORTANT: Hydraulic cylinder stop ring threads are lightly staked during manufacturing. The staking prevents the stop ring from turning during use.

Prior to removing a stop ring, the staked area must be removed to prevent damaging other threads. Use a drill bit which is slightly larger than the staked area. Drill out the all of the deformed material until good threads are visible on all sides and at the bottom of the staked area (usually 1 to 2 threads).

After reassembly and testing, restake the stop ring threads, choosing a new location on the cylinder.

RC-506, 2012 HYDRAULIC CYLINDER REPAIR PARTS LIST

Item No.	Part Number	Quantity	Description
1	CK571070	1	Handle
2	<i>Not a service item. Order complete base.</i>		Cylinder Base
3	L347040	1	Plunger
4	Y193044	1	Stop Ring
5	★	1	Wiper Ring
6	L345045SR	1	Saddle (incl. item 7)
7	L661028SR	1	Screw (set of 2)
8	★	1	Spring Pin ⁵ / ₁₆ x 3 ¹ / ₄ (std. hdw.)
9	★	1	Retaining Ring
10	★	1	U-Cup
11	★	1	Washer
12	L341107	1	Bearing (set of 2)
13	CB349110SR	1	Spring (incl. item 8,15,16,17,18)
15	<i>See item 16.</i>	1	Bushing
16	R210143-1SR	1	Adjusting Screw (incl. item 5)
17	★	1	Gasket
18	<i>Standard Hardware</i>	1	Acorn Nut ³ / ₈ -24 UNF
	CR-400	1	Coupler (not shown)
★Indicates items included in and available only as part of Repair Kit RC506K			

Australia

ENERPAC
Applied Power Australia, Ltd.
P.O. Box 261 Regents Park
Sydney, N.S.W. 2143
Tel: (61) (2) 9743 8988
Fax: (61) (2) 9743 8648

CIS

Applied Power Moscow
Leninsky Prospekt 95A
117313 Moscow, Russia
Tel: (7)(95) 936 5090
Fax: (7)(95) 936 2006

**France, Switzerland,
Turkey, Greece, Africa,
Middle East**

ENERPAC S.A.
Parc d'Activité du Moulin
de Massy
1 rue du Saule trapu, BP200
F-91882 Massy CEDEX
(Paris) France
Tel: (33) 1 60 13 68 68
Fax: (33) 1 69 20 37 50

**Germany, Scandinavia,
Eastern Europe, Austria,
Switzerland**

ENERPAC
Applied Power GmbH
P.O. Box 30 01 13
Mündelheimer Weg 51
40401 Düsseldorf 30
Germany
Tel: (49) (211) 47 14 90
Fax: (49) (211) 4714 928/940

**Holland, Belgium,
and Luxembourg**

ENERPAC B.V.
P.O. Box 269, Storkstraat 25
3900AG Veenendaal
Holland
Tel: (31) (318) 535911
Fax: (31) (318) 525613/526645

Hong Kong

ENERPAC
Room No. 907, Workingberg
Commercial Building
41-47 Marble Road, North Point
Tel: (852) 561-6295
Fax: (852) 561-6772

India

ENERPAC
Hydraulics (India) Pvt Ltd.
203 Vardhaman Chamber
Plot #84, Sector 17
Vashi, New Bombay 400 705
India
Tel: 91-22-7631062
Fax: 91-22-7670309

Italy

ENERPAC
Applied Power Italiana S.p.A.
Via Canova, 4
20094 Corsico (Milano)
Italy
Tel: 39 2 45 82 741/2/3
Fax: 39 2 48 60 12 88

Japan

Applied Power Japan LTD
10-17 Sasame Kita-cho
Toda-City
Saitama 335,
Japan
Tel: 81 048 422 2251
Telex: J26275
Fax: 81 048 422 0596

Mexico

ENERPAC
Applied Power Mexico S.A. de C.V.
Av. Principal La Paz #100
Fracc. Industrial La Paz
42084 Pachuca. Hidalgo, Mexico
Tel: (52) 771 33700
Fax: (52) 771 83800

Singapore

Applied Power Asia Pte Ltd.
47 Jalan Pemimpin #01-02
01-03 Sin Cheong Building
Singapore 2057
Thomson Road P.O. Box 114
Singapore 9157
Tel: (65) 258 1677
Fax: (65) 258 2847

South Korea

ENERPAC
Applied Power Korea Ltd.
163-12, Dodang-Dong
Wonmi-gu, Buchun-Shi,
Kyunggi-Do
Korea
Tel: (82) (32) 675 0836
Fax: (82) (32) 675 3002

Spain, Portugal

ENERPAC
Applied Power International, S.A.
Calle de la Imprenta, 7
Poligono Industrial
28100 Alcobendas (Madrid)
Spain
Tel: (34) 1 661 11 25
Fax: (34) 1 661 47 89

United Kingdom, Ireland

ENERPAC Ltd. Unit 3
Colemeadow Road
North Moons Moat
Redditch, Worcester B98 9BP
England
Tel: 44 01527 598 900
Fax: 44 01527 585 500

**United States, Canada,
Latin America and
Caribbean**

ENERPAC
13000 West Silver Spring Drive
Butler, Wisconsin 53007, USA
Tel: (414) 781-6600
1-800-433-2766 (End User)
1-800-558-0530 (Distributor)
Fax: (414) 781-1049

Canada

Tel: 1-800-426-4129 (End User)
Tel: 1-800-426-2284 (Distributor)

Latin America and Caribbean

Tel: (414) 781-6600 ext. 263
Fax: (414) 781-5561



All Enerpac products are guaranteed against defects in workmanship and materials for as long as you own them. Under this guarantee, free repair or replacement will be made to your satisfaction.

For prompt service, contact your Authorized Enerpac Service Center or call toll free:

**In U.S.A. 1-800-558-0530
In Canada 1-800-426-2284**

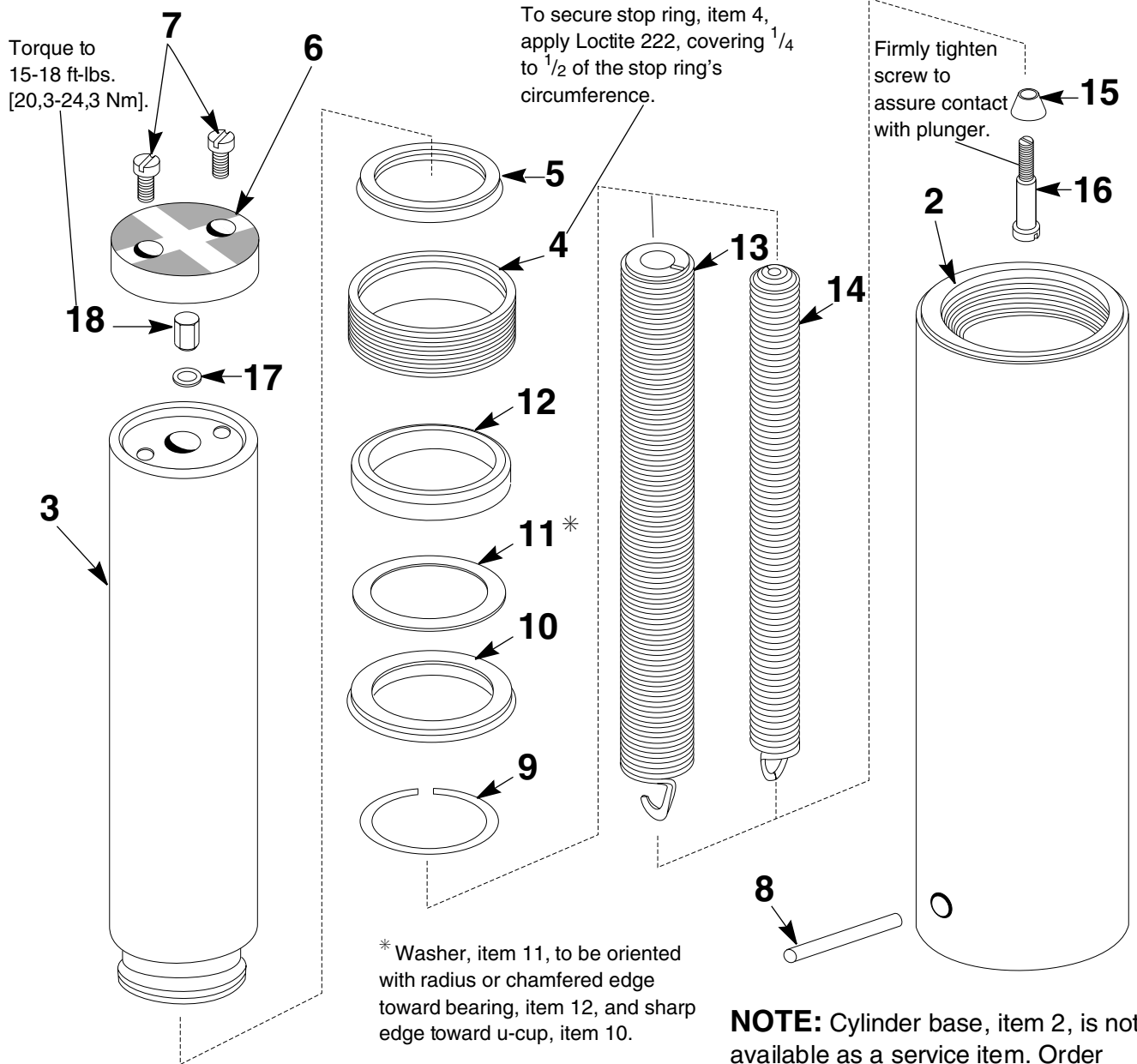
L-650

Date codes beginning with "B"

Rev. A

03/97

PC4310



TO PROTECT YOUR WARRANTY, USE ONLY ENERPAC HYDRAULIC OIL.

Repair Parts List

Item No.	Part No.	Qty.	Description
2	<i>Not available as a service item. Order complete cylinder.</i>		Cylinder Base
3	L357040	1	Plunger
4	Y193044	1	Stop Ring
5	★	1	Wiper Ring
6	L345045SR	1	Saddle (incl. item 17)
7	L661028SR	1	Saddle Screw (set of 2)
8	★	1	Spring Pin ⁵ / ₁₆ x 3 ¹ / ₄ (std. hdw.)
9	★	1	Retaining Ring
10	★	1	U-Cup
11	★	1	Washer
12	L341107	1	Bearing (set of 2)
13	CB455110SR	1	Spring (incl. item 8,14,15,16,17,18)
14	<i>See item 13.</i>		Spring
15	<i>See item 16.</i>		Bushing
16	R210143-1SR	1	Adjusting Screw (incl. item 15)
17	★	1	Gasket
18	<i>Standard Hardware</i>		Acorn Nut ³ / ₈ -24
	CR400	1	Coupler (not shown)
	CD411	1	Dust Cap (not shown)
	CL1052950	1	Handle Assembly (not shown)
★ Indicates items included in, and available only as part of Repair Kit RC506K.			

Australia
ENERPAC
Applied Power Australia, Ltd.
P.O. Box 261 Regents Park
Sydney, N.S.W. 2143
Tel: (61) (2) 9743 8988
Fax: (61) (2) 9743 8648

CIS
Applied Power Moscow
Leninsky Prospekt 95A
117313 Moscow, Russia
Tel: (7)(95) 936 5090
Fax: (7)(95) 936 2006

**France, Switzerland,
Turkey, Greece, Africa,
Middle East**
ENERPAC S.A.
Parc d'Activité du Moulin
de Massy
1 rue du Saule trapu, BP200
F-91882 Massy CEDEX
(Paris) France
Tel: (33) 1 60 13 68 68
Fax: (33) 1 69 20 37 50

**Germany, Scandinavia,
Eastern Europe, Austria,
Switzerland**
ENERPAC
Applied Power GmbH
P.O. Box 30 01 13
Mündelheimer Weg 51
40401 Düsseldorf 30
Germany
Tel: (49) (211) 47 14 90
Fax: (49) (211) 4714 928/940

**Holland, Belgium,
and Luxemburg**
ENERPAC B.V.
P.O. Box 269, Storkstraat 25
3900AG Veenendaal
Holland
Tel: (31) (318) 535911
Fax: (31) (318) 525613/526645

Hong Kong
ENERPAC
Room No. 907, Workingberg
Commercial Building
41-47 Marble Road, North Point
Tel: (852) 561-6295
Fax: (852) 561-6772

India
ENERPAC
Hydraulics (India) Pvt Ltd.
203 Vardhaman Chamber
Plot #84, Sector 17
Vashi, New Bombay 400 705
India
Tel: 91-22-7631062
Fax: 91-22-7670309

Italy
ENERPAC
Applied Power Italiana S.p.A.
Via Canova, 4
20094 Corsico (Milano)
Italy
Tel: 39 2 45 82 741/2/3
Fax: 39 2 48 60 12 88

Japan
Applied Power Japan LTD
10-17 Sasame Kita-cho
Toda-City
Saitama 335,
Japan
Tel: 81 048 422 2251
Telex: J26275
Fax: 81 048 422 0596

Mexico
ENERPAC
Applied Power Mexico S.A. de C.V.
Av. Principal La Paz #100
Fracc. Industrial La Paz
42084 Pachuca, Hidalgo, Mexico
Tel: (52) 771 33700
Fax: (52) 771 83800

Singapore
Applied Power Asia Pte Ltd.
47 Jalan Pemimpin #01-02
01-03 Sin Cheong Building
Singapore 2057
Thomson Road P.O. Box 114
Singapore 9157
Tel: (65) 258 1677
Fax: (65) 258 2847

South Korea
ENERPAC
Applied Power Korea Ltd.
163-12, Dodang-Dong
Wonmi-gu, Buchun-Shi,
Kyunggi-Do
Korea
Tel: (82) (32) 675 0836
Fax: (82) (32) 675 3002

Spain, Portugal
ENERPAC
Applied Power International, S.A.
Calle de la Imprenta, 7
Polígono Industrial
28100 Alcobendas (Madrid)
Spain
Tel: (34) 1 661 11 25
Fax: (34) 1 661 47 89

United Kingdom, Ireland
ENERPAC Ltd. Unit 3
Colemeadow Road
North Moons Moat
Redditch, Worcester B98 9BP
England
Tel: 44 01527 598 900
Fax: 44 01527 585 500

**United States, Canada,
Latin America and
Caribbean**
ENERPAC
13000 West Silver Spring Drive
Butler, Wisconsin 53007, USA
Tel: (414) 781-6600
1-800-433-2766 (End User)
1-800-558-0530 (Distributor)
Fax: (414) 781-1049

Canada
Tel: 1-800-426-4129 (End User)
Tel: 1-800-426-2284 (Distributor)

Latin America and Caribbean
Tel: (414) 781-6600 ext. 263
Fax: (414) 781-5561



All Enerpac products are guaranteed against defects in workmanship and materials for as long as you own them. Under this guarantee, free repair or replacement will be made to your satisfaction.

For prompt service, contact your Authorized Enerpac Service Center or call toll free:

**In U.S.A. 1-800-558-0530
In Canada 1-800-426-2284**