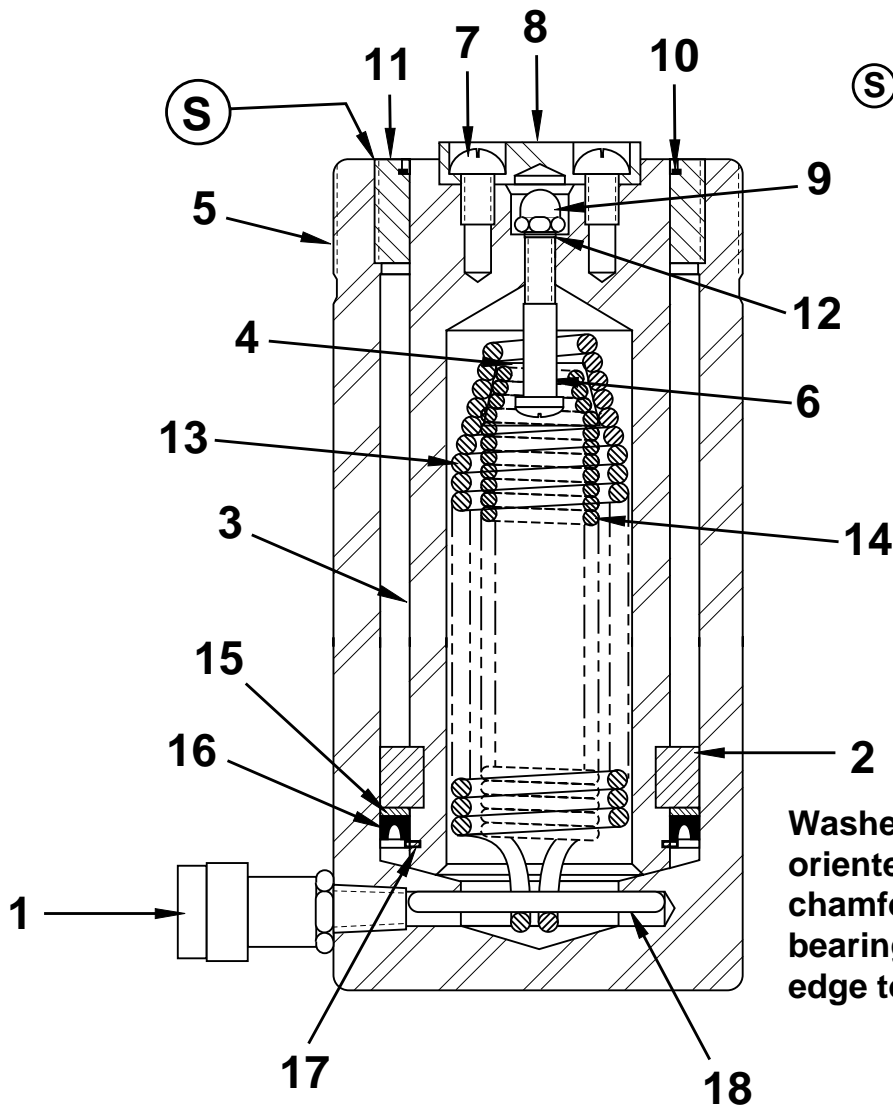


L716  
 Rev. B  
 05/93  
 PC4312

DATE CODES BEGINNING WITH THE LETTER "O".



**Ⓢ CAUTION**  
 Staked threads.  
 Remove stake mark  
 prior to disassembly.  
 Restake after testing  
 repaired cylinder.

Washer (Item 15) to be  
 oriented with radius or  
 chamfered edge toward rod  
 bearing (Item 2) and sharp  
 edge toward u-cup (Item 16).

## RC-756 REPAIR PARTS LIST

Item No.	Part Number	Quantity	Description	Item No.	Part Number	Quantity	Description
1	CR400	1	Female Coupler Half	11	Y491044	1	Stop Ring
2	Y489107	1	Rod Bearing	12	★ B180167	1	Gasket
3	Y834040	1	Plunger	13	CN58110	1	External Spring
4	CN85039	1	Bushing	14	CN59110	1	Internal Spring
5	G190900W	1	Cylinder Base	15	★ Y578108	1	Washer
6	R210143-1	1	Adjusting Screw	16	★ Y577041	1	U-Cup
7	L661028	2	Screw	17	Y575044	1	Retaining Ring
8	L345045	1	Saddle	18	CF624061	1	Roll Pin
9	L342055	1	Nut	19	★ G423026	1	Decal (not shown)
10	★ F516044	1	Wiper Ring				

★ Included in and available only as part of Repair Kit RC756K.

Viton Repair Kit (RC756KV) consists of Item 10 (wiper) and Item 16 (u-cup).

### Australia

ENERPAC  
Applied Power Australia, Ltd.  
P.O. Box 261 Regents Park  
Sydney, N.S.W. 2143  
Tel: (61) (2) 9743 8988  
Fax: (61) (2) 9743 8648

### CIS

Applied Power Moscow  
Leninsky Prospekt 95A  
117313 Moscow, Russia  
Tel: (7)(95) 936 5090  
Fax: (7)(95) 936 2006

### France, Switzerland, Turkey, Greece, Africa, Middle East

ENERPAC S.A.  
Parc d'Activité du Moulin  
de Massy  
1 rue du Saule trapu, BP200  
F-91882 Massy CEDEX  
(Paris) France  
Tel: (33) 1 60 13 68 68  
Fax: (33) 1 69 20 37 50

### Germany, Scandinavia, Eastern Europe, Austria, Switzerland

ENERPAC  
Applied Power GmbH  
P.O. Box 30 01 13  
Mündelheimer Weg 51  
40401 Düsseldorf 30  
Germany  
Tel: (49) (211) 47 14 90  
Fax: (49) (211) 4714 928/940

### Holland, Belgium, and Luxemburg

ENERPAC B.V.  
P.O. Box 269, Storkstraat 25  
3900AG Veenendaal  
Holland  
Tel: (31) (318) 535911  
Fax: (31) (318) 525613/526645

### Hong Kong

ENERPAC  
Room No. 907, Workingberg  
Commercial Building  
41-47 Marble Road, North Point  
Tel: (852) 561-6295  
Fax: (852) 561-6772

### India

ENERPAC  
Hydraulics (India) Pvt Ltd.  
203 Vardhaman Chamber  
Plot #84, Sector 17  
Vashi, New Bombay 400 705  
India  
Tel: 91-22-7631062  
Fax: 91-22-7670309

### Italy

ENERPAC  
Applied Power Italiana S.p.A.  
Via Canova, 4  
20094 Corsico (Milano)  
Italy  
Tel: 39 2 45 82 741/2/3  
Fax: 39 2 48 60 12 88

### Japan

Applied Power Japan LTD  
10-17 Sasame Kita-cho  
Toda-City  
Saitama 335,  
Japan  
Tel: 81 048 422 2251  
Telex: J26275  
Fax: 81 048 422 0596

### Mexico

ENERPAC  
Applied Power Mexico S.A. de C.V.  
Av. Principal La Paz #100  
Fracc. Industrial La Paz  
42084 Pachuca. Hidalgo, Mexico  
Tel: (52) 771 33700  
Fax: (52) 771 83800

### Singapore

Applied Power Asia Pte Ltd.  
47 Jalan Pemimpin #01-02  
01-03 Sin Cheong Building  
Singapore 2057  
Thomson Road P.O. Box 114  
Singapore 9157  
Tel: (65) 258 1677  
Fax: (65) 258 2847

### South Korea

ENERPAC  
Applied Power Korea Ltd.  
163-12, Dodang-Dong  
Wonmi-gu, Buchun-Shi,  
Kyunggi-Do  
Korea  
Tel: (82) (32) 675 0836  
Fax: (82) (32) 675 3002

### Spain, Portugal

ENERPAC  
Applied Power International, S.A.  
Calle de la Imprenta, 7  
Poligono Industrial  
28100 Alcobendas (Madrid)  
Spain  
Tel: (34) 1 661 11 25  
Fax: (34) 1 661 47 89

### United Kingdom, Ireland

ENERPAC Ltd. Unit 3  
Colemeadow Road  
North Moons Moat  
Redditch, Worcester B98 9BP  
England  
Tel: 44 01527 598 900  
Fax: 44 01527 585 500

### United States, Canada, Latin America and Caribbean

ENERPAC  
13000 West Silver Spring Drive  
Butler, Wisconsin 53007, USA  
Tel: (414) 781-6600  
1-800-433-2766 (End User)  
1-800-558-0530 (Distributor)  
Fax: (414) 781-1049

### Canada

Tel: 1-800-426-4129 (End User)  
Tel: 1-800-426-2284 (Distributor)

### Latin America and Caribbean

Tel: (414) 781-6600 ext. 263  
Fax: (414) 781-5561



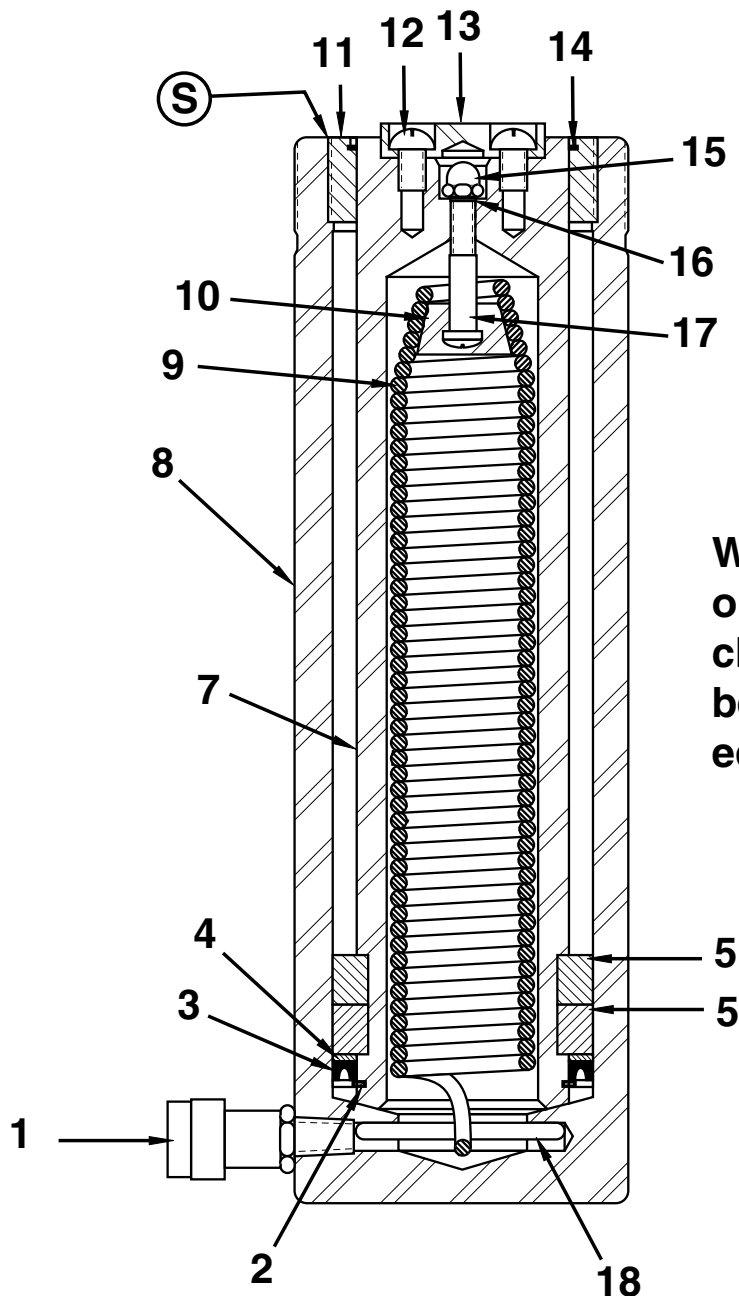
**All Enerpac products are guaranteed against defects in workmanship and materials for as long as you own them. Under this guarantee, free repair or replacement will be made to your satisfaction.**

**For prompt service, contact your Authorized Enerpac Service Center or call toll free:**

**In U.S.A. 1-800-558-0530  
In Canada 1-800-426-2284**

To Protect Your Warranty, Use Only ENERPAC Hydraulic Oil.

Enerpac recommends that all kit components be installed to insure optimum performance of the repaired product.



**Ⓢ CAUTION**

Staked threads.  
Remove stake mark  
prior to disassembly.  
Restake after testing  
repaired cylinder.

Washer (Item 4) to be  
oriented with radius or  
chamfered edge toward  
bearing (Item 5) and sharp  
edge toward u-cup (Item 3).

Repair Parts List for RC-7513			
Item	Part Number	Qty.	Description
1	CR400	1	COUPLER
2	Y5755044	1	RETAINING RING
3	★ Y577041	1	U-CUP
4	★ Y578108	1	WASHER
5	Y489107	1	ROD BEARING
6	BSS6350D	2	EYEBOLT (NOT SHOWN)
7	CH934040	1	PLUNGER
8	CH932030	1	CYLINDER BASE
9	CJ247110	1	EXTENSION SPRING
10	CL258039	1	BUSHING
11	Y491044	1	STOP RING
12	L661028	2	SCREW
13	L345045	1	SADDLE
14	★ F516044	1	WIPER RING
15	L342055	1	NUT
16	★ B180167	1	GASKET
17	R210143-1	1	ADJUSTING SCREW
18	CF624061	1	PIN

★ Indicates items included in and available only as part of Repair Kit RC-756K

#### Enerpac Worldwide Locations

**Africa**  
ENERPAC Middle East FZE  
Office 423, JAFZA 15  
P.O. Box 18004  
Jebel Ali, Dubai  
United Arab Emirates  
Tel: +971 (0)4 8872686  
Fax: +971 (0)4 8872687

**Australia, New Zealand**  
Actuant Australia Ltd.  
Block V Unit 3  
Regents Park Estate  
391 Park Road  
Regents Park NSW 2143  
(P.O. Box 261) Australia  
Tel: +61 297 438 988  
Fax: +61 297 438 648

**Brazil**  
Power Packer do Brasil Ltda.  
Rua dos Inocentes, 587  
04764-050 - Sao Paulo (SP)  
Tel: +55 11 5687 2211  
Fax: +55 11 5686 5583  
**Toll Free in Brazil:**  
Tel: 0800 891 5770  
vendasbrasil@enerpac.com

**Canada**  
Actuant Canada Corporation  
6615 Ordan Drive, Unit 14-15  
Mississauga, Ontario L5T 1X2  
Tel: +1 905 564 5749  
Fax: +1 905 564 0305  
**Toll Free:**  
Tel: +1 800 268 4987  
Fax: +1 800 461 2456  
**Technical Inquiries:**  
techservices@enerpac.com

**China**  
Actuant China Ltd.  
1F, 269 Fute N. Road  
Waigaoqiao Free Trade Zone  
Pudong New District  
Shanghai, 200 131 China  
Tel: +86 21 5866 9099  
Fax: +86 21 5866 7156

**Actuant China Ltd. (Beijing)**  
709B Diyang Building  
Xin No. 2  
Dong San Huan North Rd.  
Beijing City  
100028 China  
Tel: +86 10 845 36166  
Fax: +86 10 845 36220

**Central and Eastern Europe, Greece**  
ENERPAC GmbH  
P.O. Box 300113  
D-40401 Düsseldorf  
Willstätterstrasse13  
D-40549 Düsseldorf  
Germany  
Tel: +49 211 471 490  
Fax: +49 211 471 49 28

**France, Switzerland francophone**  
ENERPAC , Une division de ACTUANT  
France S.A.  
ZA de Courtaboeuf  
32, avenue de la Baltique  
91140 VILLEBON /YVETTE  
France  
Tel: +33 1 60 13 68 68  
Fax: +33 1 69 20 37 50

◆ e-mail: info@enerpac.com

**Germany, Austria and Switzerland**  
ENERPAC GmbH  
P.O. Box 300113  
D-40401 Düsseldorf  
Willstätterstrasse13  
D-40549 Düsseldorf  
Germany  
Tel: +49 211 471 490  
Fax: +49 211 471 49 28

**India**  
ENERPAC Hydraulics  
(India) Pvt. Ltd.  
Office No. 9,10 & 11,  
Plot No. 56, Monarch Plaza,  
Sector 11, C.B.D. Belapur  
Navi Mumbai 400614, India  
Tel: +91 22 2756 6090  
Tel: +91 22 2756 6091  
Fax: +91 22 2756 6095

**Italy**  
ENERPAC S.p.A.  
Via Canova 4  
20094 Corsico (Milano)  
Tel: +39 02 4861 111  
Fax: +39 02 4860 1288

**Japan**  
Applied Power Japan Ltd.  
Besshochou 85-7  
Saitama-shi, Kita-ku,  
Saitama 331-0821  
Japan  
Tel: +81 48 662 4911  
Fax: +81 48 662 4955

**Middle East, Turkey and Caspian Sea**  
ENERPAC Middle East FZE  
Office 423, JAFZA 15  
P.O. Box 18004  
Jebel Ali, Dubai  
United Arab Emirates  
Tel: +971 (0)4 8872686  
Fax: +971 (0)4 8872687

**Russia and CIS (excl. Caspian Sea Countries)**  
Actuant LLC  
Admiral Makarov Street 8  
125212 Moscow, Russia  
Tel: +7-495-9809091  
Fax: +7-495-9809092

**Singapore**  
Actuant Asia Pte. Ltd.  
37C, Benoi Road Pioneer Lot,  
Singapore 627796  
Tel: +65 68 63 0611  
Fax: +65 64 84 5669  
**Toll Free:** +1800 363 7722  
**Technical Inquiries:**  
techsupport@enerpac.com.sg

**South Korea**  
Actuant Korea Ltd.  
3Ba 717,  
Shihwa Industrial Complex  
Jungwang-Dong, Shihung-Shi,  
Kyunggi-Do  
Republic of Korea 429-450  
Tel: +82 31 434 4506  
Fax: +82 31 434 4507

◆ internet: www.enerpac.com

**Spain and Portugal**  
ENERPAC  
Avda. Los Frailes, 40 – Nave C & D  
Pol. Ind. Los Frailesancho De Arriba  
(Madrid) Spain  
Tel: +34 91 661 11 25  
Fax: +34 91 661 47 89

**The Netherlands, Belgium, Luxembourg, Sweden, Denmark, Norway, Finland and Baltic States**  
ENERPAC B.V.  
Galvanistraat 115, 6716 AE Ede  
P.O. Box 8097, 6710 AB Ede  
The Netherlands  
Tel: +31 318 535 911  
Fax: +31 318 525 613  
+31 318 535 848

**Technical Inquiries Europe:**  
techsupport.europe@enerpac.com

**United Kingdom, Ireland**  
Enerpac Ltd  
Bentley Road South  
Darlaston, West Midlands  
WS10 8LQ, United Kingdom  
Tel: +44 (0)121 50 50 787  
Fax: +44 (0)121 50 50 799

**USA, Latin America and Caribbean**  
ENERPAC  
P.O. Box 3241  
6100 N. Baker Road  
Milwaukee, WI 53209 USA  
Tel: +1 262 781 6600  
Fax: +1 262 783 9562

**User inquiries:**  
+1 800 433 2766  
**Inquiries/orders:**  
+1 800 558 0530  
**Technical Inquiries:**  
techservices@enerpac.com

**All Enerpac products are guaranteed against defects in workmanship and materials for as long as you own them. For your nearest authorized Enerpac Service Center, visit us at [www.enerpac.com](http://www.enerpac.com)**